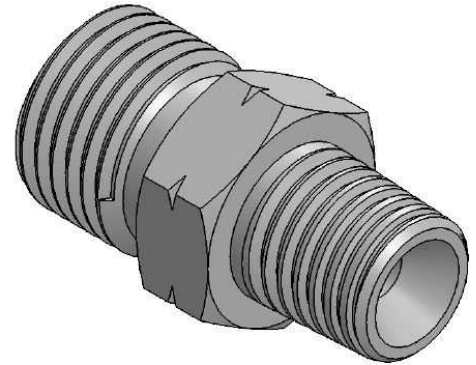
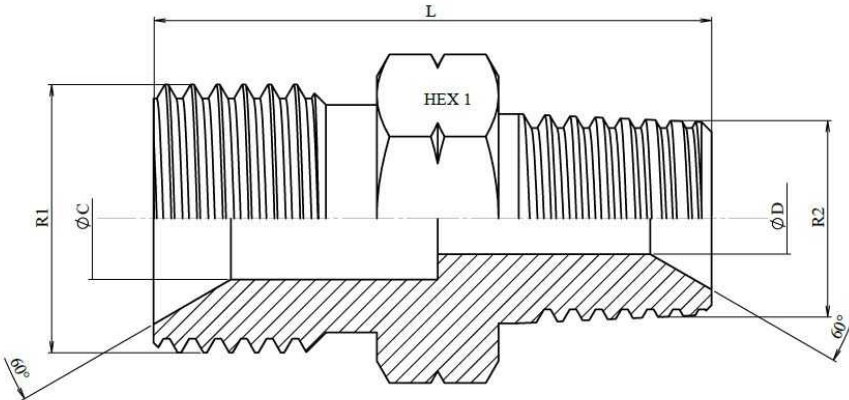


Reducer adaptor male BSP 60° - male NPT

Stainless Steel AISI 316-L

1/1



Part nº	R1	R2	L	HEX 1	ØC	ØD
Z10240204	1/8" BSP	1/4" NPT	26,5	17	3,5	6
Z10240402	1/4" BSP	1/8" NPT	27,5	14	5	5
Z10240406	1/4" BSP	3/8" NPT	32	17	6	6
Z10240408	1/4" BSP	1/2" NPT	37	22	6	11
Z10240604	3/8" BSP	1/4" NPT	32,5	19	8	6
Z10240608	3/8" BSP	1/2" NPT	38	22	8	11
Z10240612	3/8" BSP	3/4" NPT	40	27	8	16
Z10240804	1/2" BSP	1/4" NPT	35,5	22	11	6
Z10240806	1/2" BSP	3/8" NPT	35,5	22	11	8
Z10240812	1/2" BSP	3/4" NPT	42	27	11	16
Z10241012	5/8" BSP	3/4" NPT	44	27	14	16
Z10241204	3/4" BSP	1/4" NPT	37,5	27	16	6
Z10241206	3/4" BSP	3/8" NPT	38	27	16	8
Z10241208	3/4" BSP	1/2" NPT	42,5	27	16	11
Z10241216	3/4" BSP	1" NPT	50	36	16	22
Z10241220	3/4" BSP	1" 1/4 NPT	52	46	16	28,5
Z10241224	3/4" BSP	1" 1/2 NPT	53	50	16	33
Z10241608	1" BSP	1/2" NPT	47,5	36	22	11
Z10241612	1" BSP	3/4" NPT	49	36	22	17,5
Z10241620	1" BSP	1" 1/4 NPT	55	46	22	28,5
Z10242016	1" 1/4 BSP	1" NPT	54	46	28,5	22
Z10242024	1" 1/4 BSP	1" 1/2 NPT	58	50	28,5	33
Z10242420	1" 1/2 BSP	1" 1/4 NPT	58	50	33	28,5
Z10242432	1" 1/2 BSP	2" NPT	63	65	33	46
Z10243224	2" BSP	1" 1/2 NPT	66	65	46	33