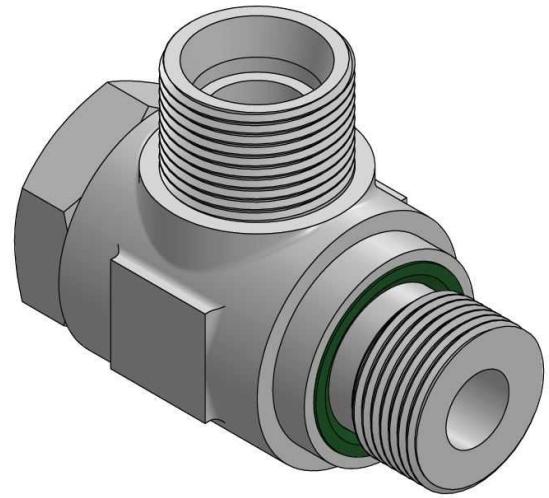
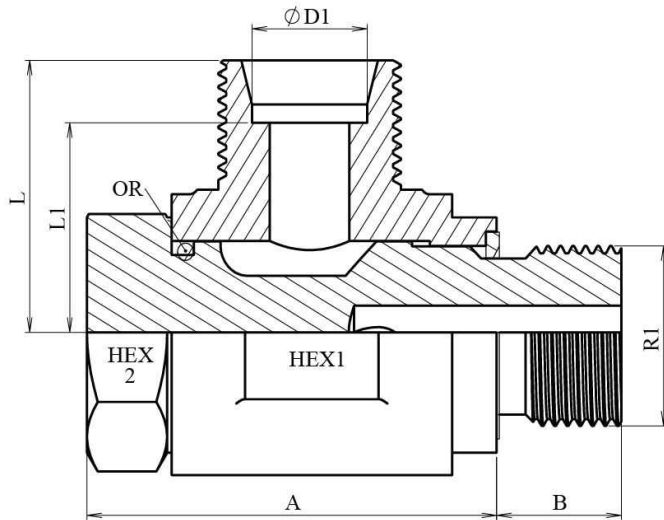


Racor en codo orientable BSP STA

Acero Inoxidable AISI 316-L

1/1



Artículo	ØD1	Serie	R1	Presión trabajo (bar)	L	L1	HEX 1	HEX 2	A	B
Z STA WSVL 6 R 1/8	6	L	1/8" BSP	315	19	12	14	17	21	8
Z STA WSVL 6 R 1/4	6	L	1/4" BSP	315	19	19	19	19	30	12
Z STA WSVL 8 R 1/4	8	L	1/4" BSP	315	19	21,5	19	22	30	12
Z STA WSVL 10 R 1/4	10	L	1/4" BSP	315	19	22,5	19	22	30	12
Z STA WSVL 12 R 3/8	12	L	3/8" BSP	315	22	25	28	27	34,5	12
Z STA WSVL 15 R 1/2	15	L	1/2" BSP	315	27	28,5	27	32	44	14
Z STA WSVL 18 R 1/2	18	L	1/2" BSP	315	27	28,5	27	32	44	14
Z STA WSVL 22 R 3/4	22	L	3/4" BSP	160	33	35	32	41	49	16
Z STA WSVL 28 R 1	28	L	1" BSP	160	40	39,5	41	46	60	18
Z STA WSVL 35 R 1 1/4	35	L	1" 1/4 BSP	160	50	46,5	50	55	74	20
Z STA WSVL 42 R 1 1/2	42	L	1" 1/2 BSP	160	56	51,5	55	65	84	22
Z STA WSVS 6 R 1/4	6	S	1/4" BSP	630	19	23,5	19	22	30	12
Z STA WSVS 8 R 1/4	8	S	1/4" BSP	630	19	23,5	19	22	30	12
Z STA WSVS 12 R 3/8	12	S	3/8" BSP	630	22	26	22	27	34,5	12
Z STA WSVS 14 R 1/2	14	S	1/2" BSP	630	27	30,5	27	32	44	14
Z STA WSVS 16 R 1/2	16	S	1/2" BSP	630	27	30,5	27	32	44	14
Z STA WSVS 20 R 3/4	20	S	3/4" BSP	400	33	37	32	41	49	16
Z STA WSVS 10 R 1/4	10	S	1/4 " BSP	630	22	21,5	22	22	34.5	12
Z STA WSVS 10 R 3/8	10	S	3/8 " BSP	630	22	26	22	27	34,5	12
Z STA WSVS 25 R 1	25	S	1" BSP	400	40	43,5	41	46	60	18
Z STA WSVS 30 R 1 1/4	30	S	1"1/4 BSP	400	50	50,5	50	55	74	20
Z STA WSVS 38 R 1 1/2	38	S	1"1/2 BSP	315	55	57,5	55	65	84	40,5

MATERIAL DE JUNTA FKM