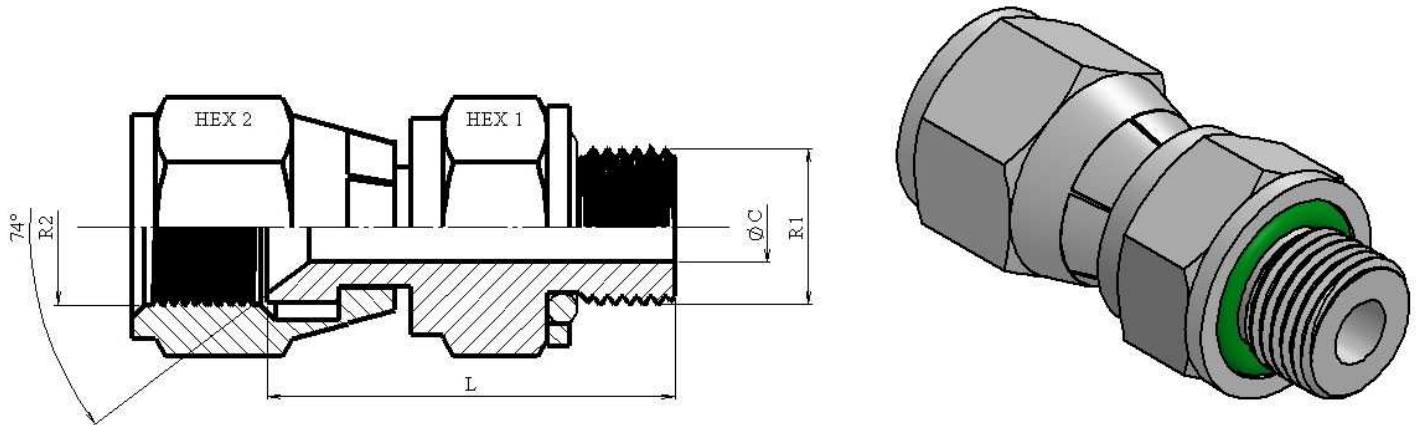


Adattatore maschio BSP con rondella e O'ring - femmina girevole JIC 37°

Acciaio Inossidabile AISI 316-L

1/1



Codice	ØD1	ØD2	R1	R2	O'ring	L	HEX 1	HEX 2	ØC
ZS1800610	6	1/4"	1/8" BSP	7/16" 20h UNF	7x2	25,5	14	14	4
ZS1800813	8	5/16"	1/4" BSP	1/2" 20h UNF	9,92x2,62	30	19	17	6
ZS1801013	10	3/8"	1/4" BSP	9/16" 18h UNF	9,92x2,62	31	19	19	6
ZS1801017	10	3/8"	3/8" BSP	9/16" 18h UNF	13,94x2,62	32	24	19	6
ZS1801021	10	3/8"	1/2" BSP	9/16" 18h UNF	17,12x2,62	35	30	19	6
ZS1801217	12	1/2"	3/8" BSP	3/4" 16h UNF	13,94x2,62	31	22	24	10
ZS1801221	14-15-16	5/8"	1/2" BSP	H 3/4" 16h UNF	17,12x2,62	36,7	24	27	10
ZS1801621	14-15-16	5/8"	1/2" BSP	7/8" 14h UNF	17,12x2,62	38	30	27	12
ZS1802026	18-20	3/4"	3/4" BSP	1" 1/16 12h UNF	22,22x2,62	41	36	32	15
ZS1802533	25	1"	1" BSP	1" 5/16 12h UNF	29,74x3,53	47,5	46	41	21,5
ZS1803242	30-32	1" 1/4	1" 1/4 BSP	1" 5/8 12h UNF	37,69x3,53	51	50	50	26
ZS1803848	38	1" 1/2	1" 1/2 BSP	1" 7/8 12h UNF	42,86x3,53	55,5	55	55	33