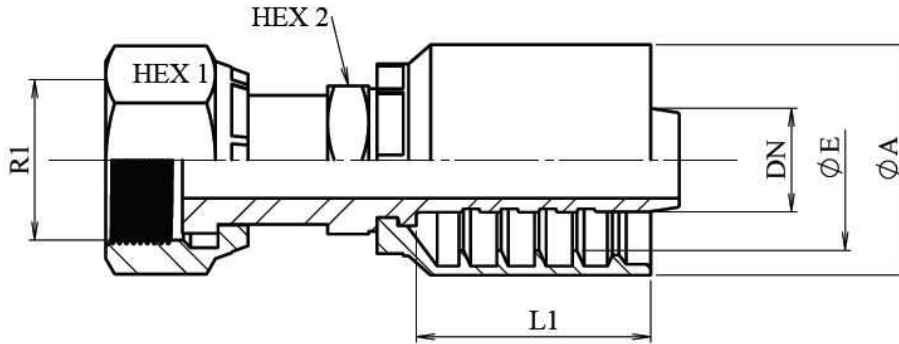
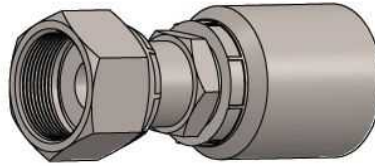


Hembras giratorias rectas una sola pieza ORFS doble hexagonal

Acero Inoxidable AISI 316-L

1/1



Artículo	DN	R1	Detalles	L1	HEX 1	HEX 2	ØA	ØE
Z689011308	1/2"	13/16"-16h	Z669011308 + ZAC680100800	33,5	24	19	32	25,5
Z689011912	3/4"	1"3/16-12h	Z669011912 + ZAC680101200	43	36	27	42	33
Z689012316	1"	1"7/16-12h	Z669012316 + ZAC680101600	48,5	41	36	50	41
Z689013224	1"1/2"	2"-12h	Z669013224 + ZAC680102400	60	60	50	71	59