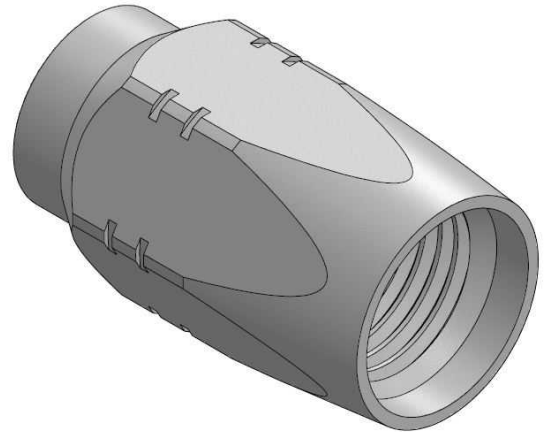
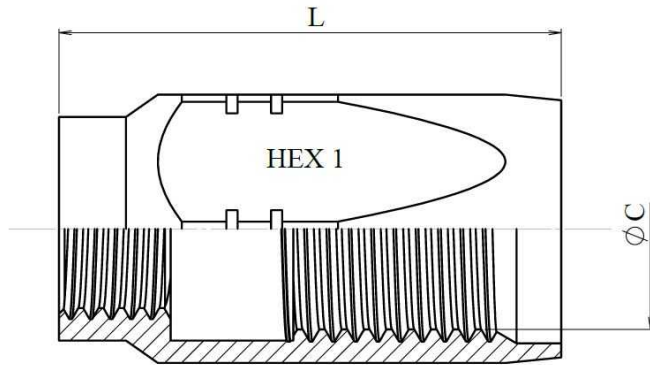


Reusable ferrules R2AT/2SN non skive

Stainless Steel AISI 316-L

1/1



Part n°	DN	L	HEX 1	ØC
Z1G-4 R2T INOX	1/4"	40	22	14
Z1G-6 R2T INOX	3/8"	45	24	18
Z1G-8 R2T INOX	1/2"	49	27	20
Z1G-10 R2T INOX	5/8"	53	32	22,4
Z1G-12 R2T INOX	3/4"	58,5	36	26,5
Z1G-16 R2T INOX	1"	71	46	35,8