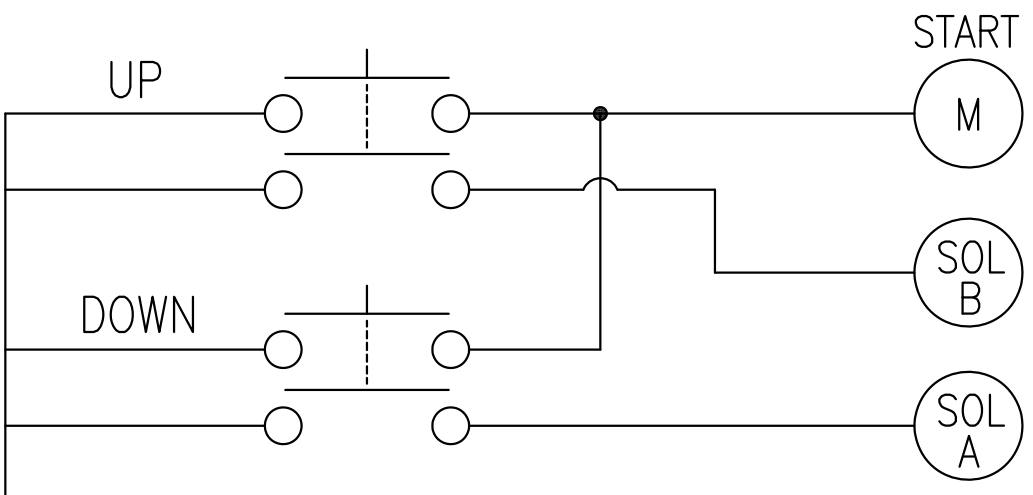
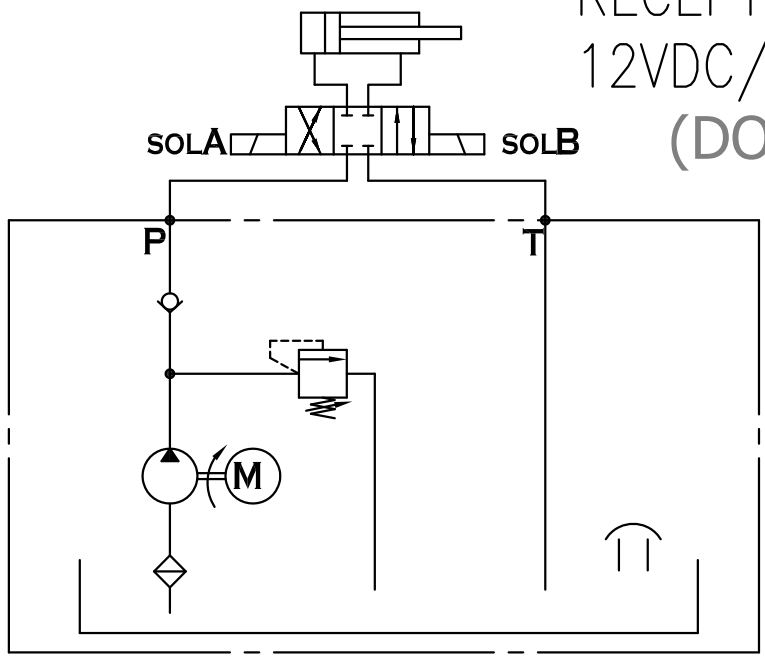


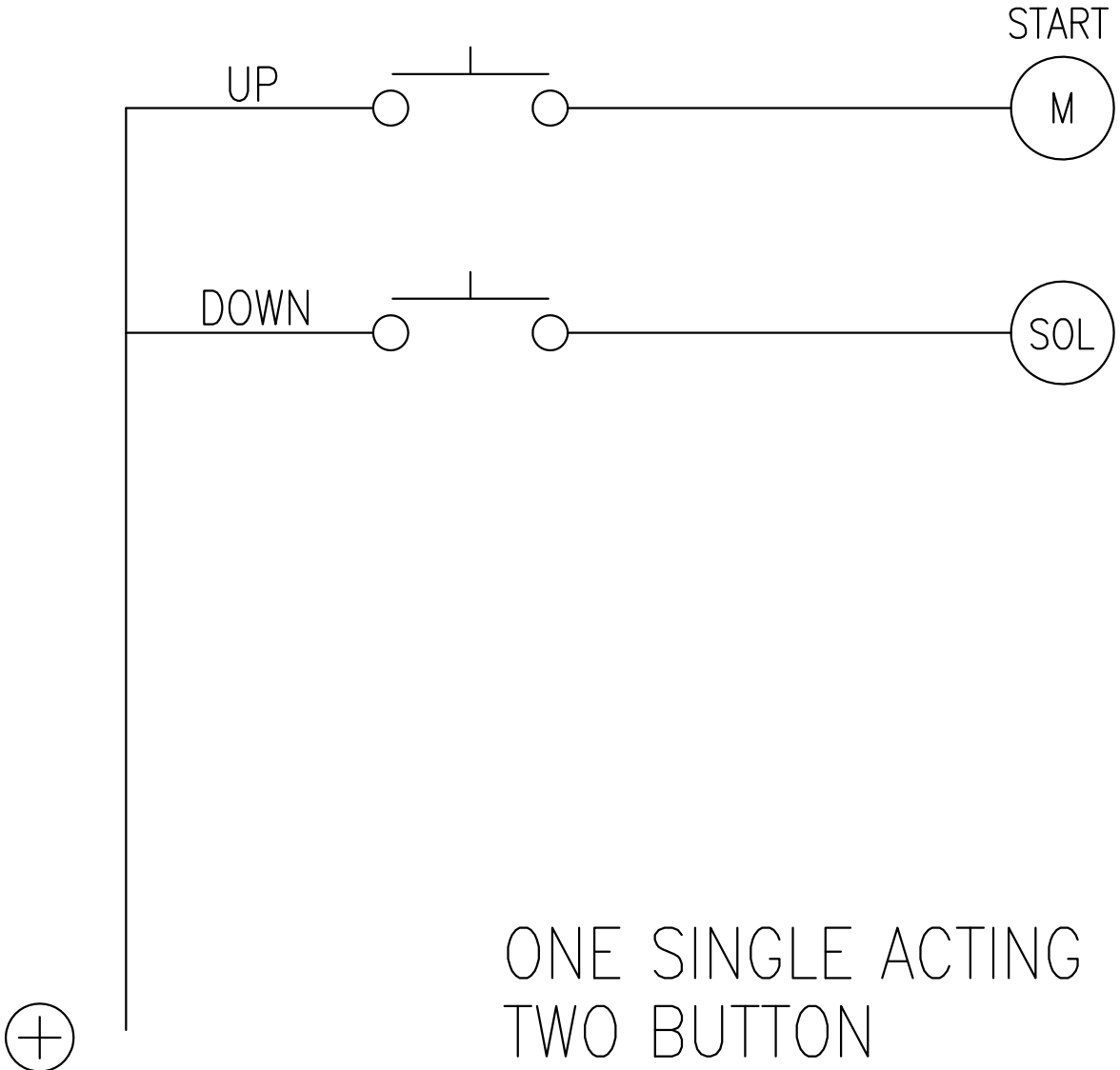
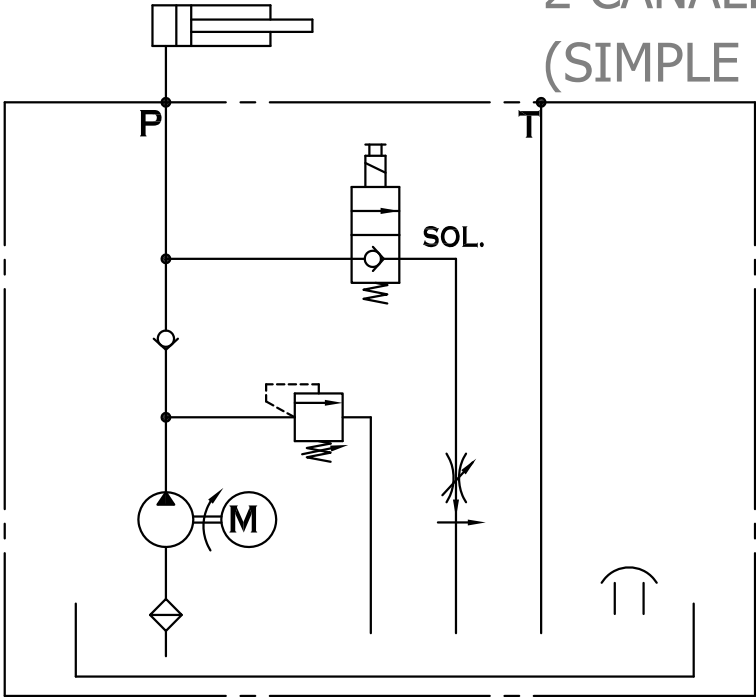
EMISOR+
RECEPTOR 2 CANALES
12VDC/24VDC
(DOBLE EFECTO)



ONE DOUBLE ACTING
TWO BUTTON

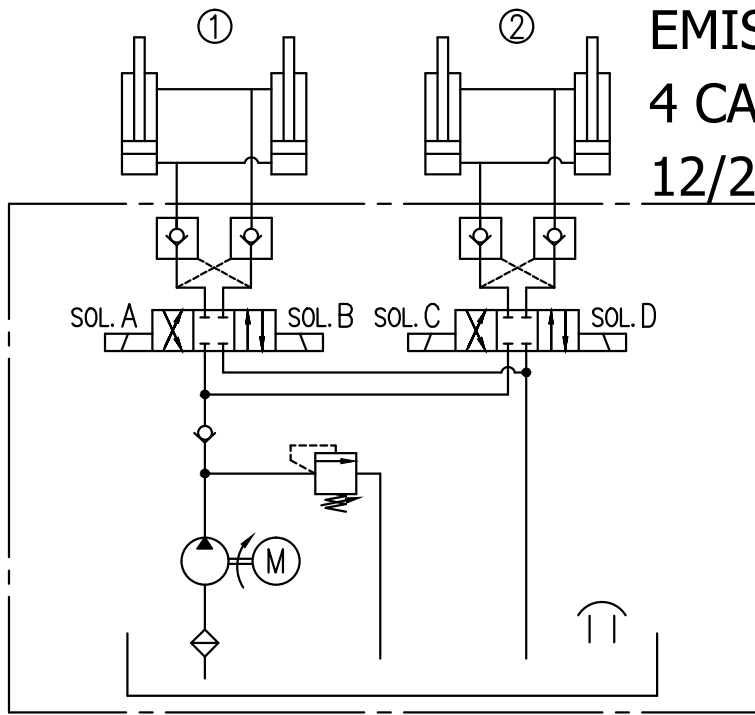


EMISOR+RECEPTOR
2 CANALES 12/24 VDC
(SIMPLE EFECTO)

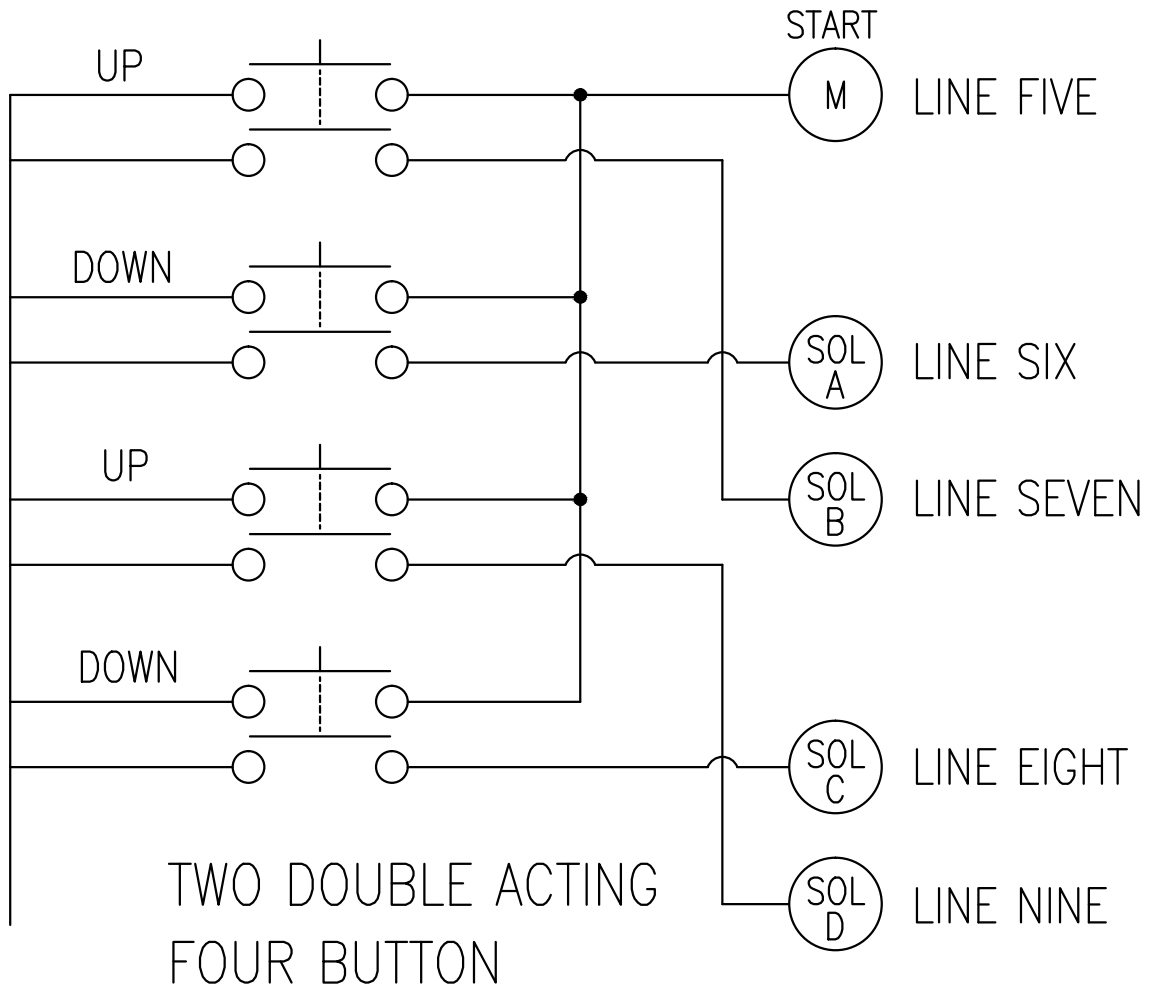


ONE SINGLE ACTING
TWO BUTTON

**EMISOR+REC.
4 CANALES
12/24VDC**



X
(DOBLE EFECTO)

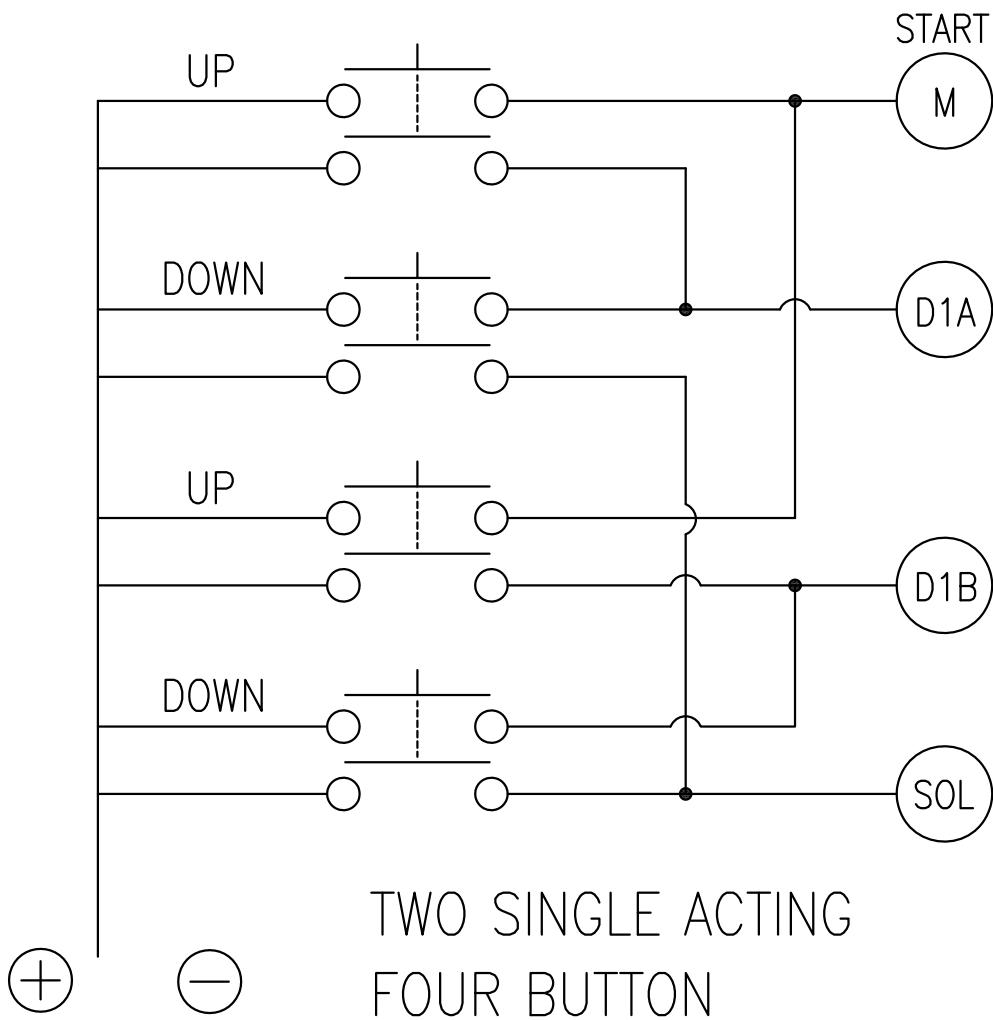
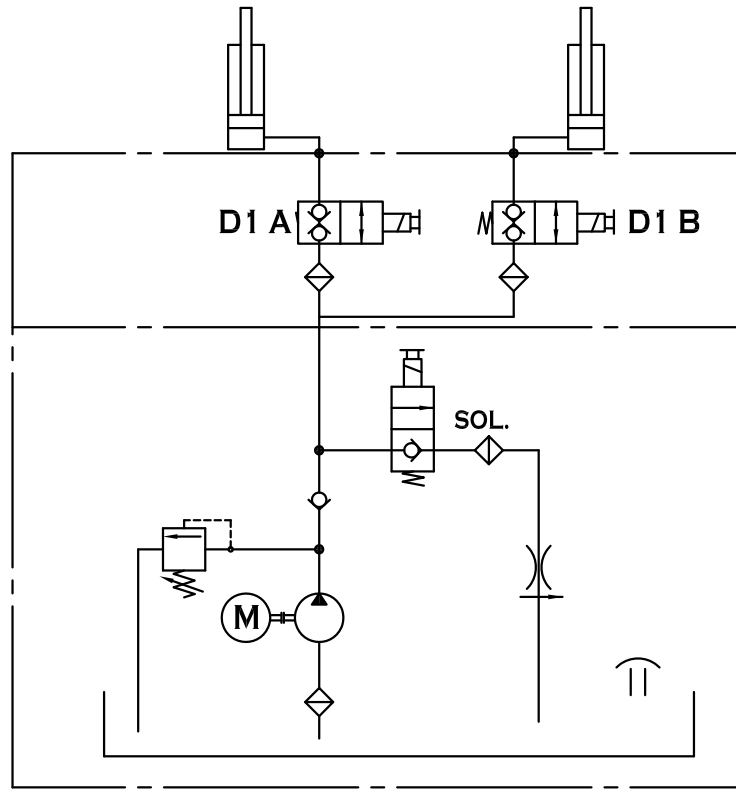


TWO DOUBLE ACTING
FOUR BUTTON

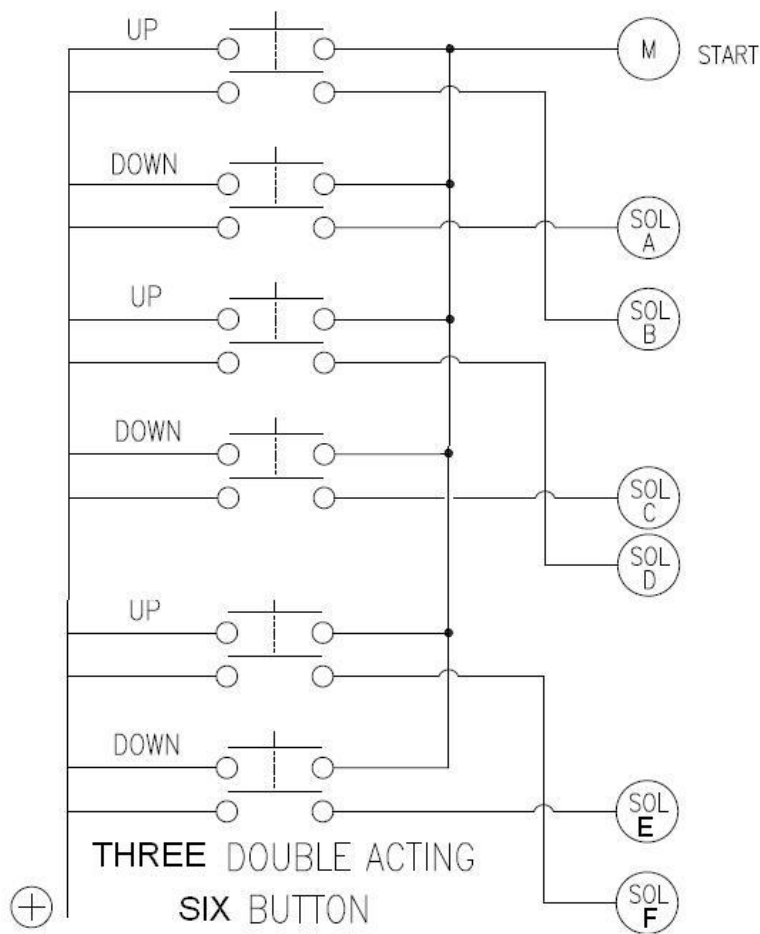
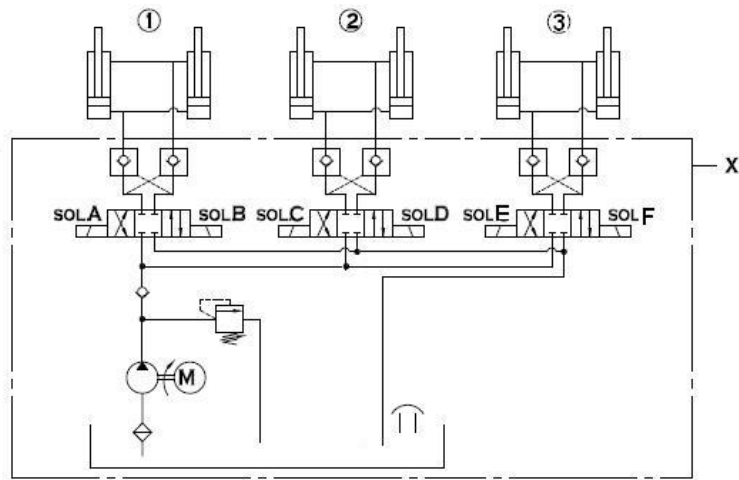
⊕
LINE THREE

⊖
LINE TWO

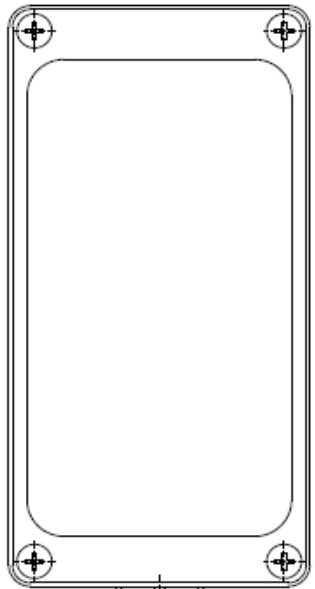
EMISOR+RECEPTOR 4 CANALES, 12 / 24 VDC, (SIMPLE EFECTO)



EMISOR+
 RECEPTOR
 6 CANALES
 DC 12V/24V
 (DOBLE EFECTO)



RECEIVER



WIRE 9, 10, 11
WIRE 9, 10, 11 LENGTH
= 900mm

CABLE LENGTH = 1300mm

REMOTE CONTROL

