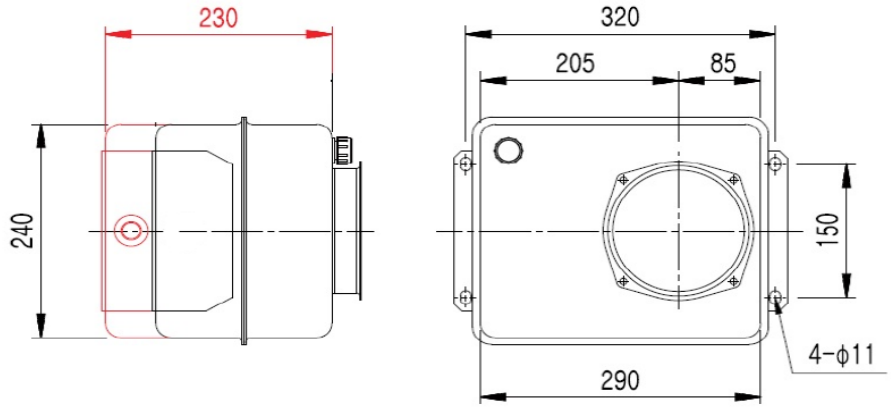
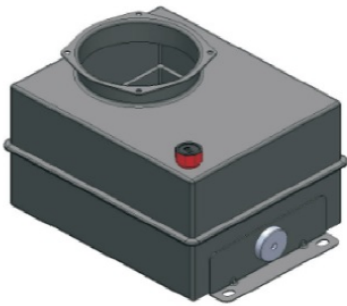
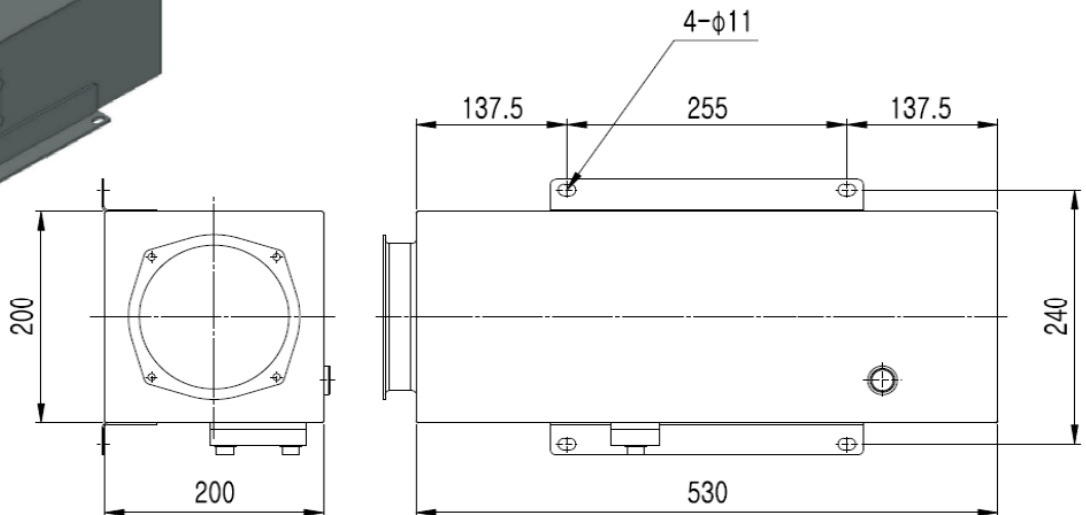
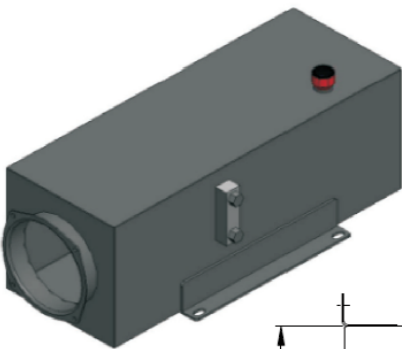


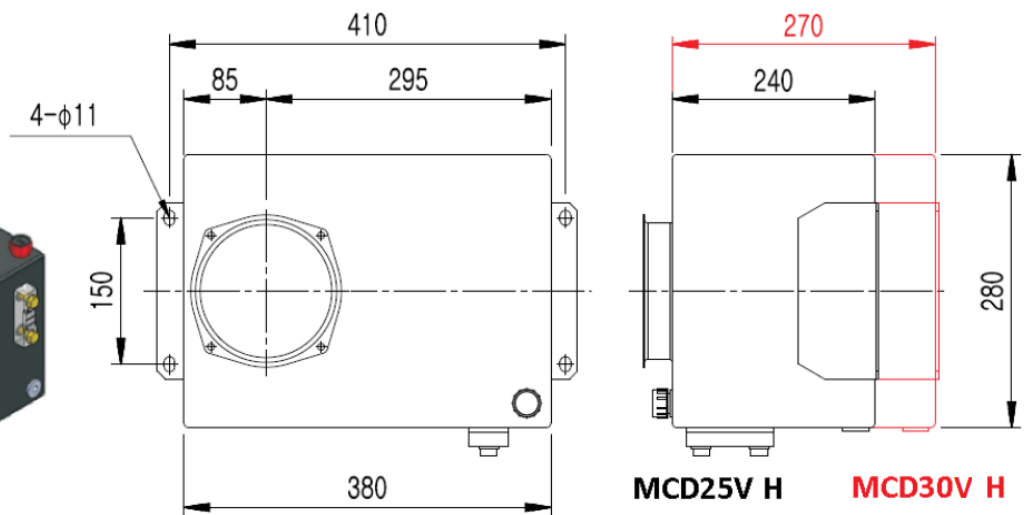
MCD15V H:



MCD20 H:

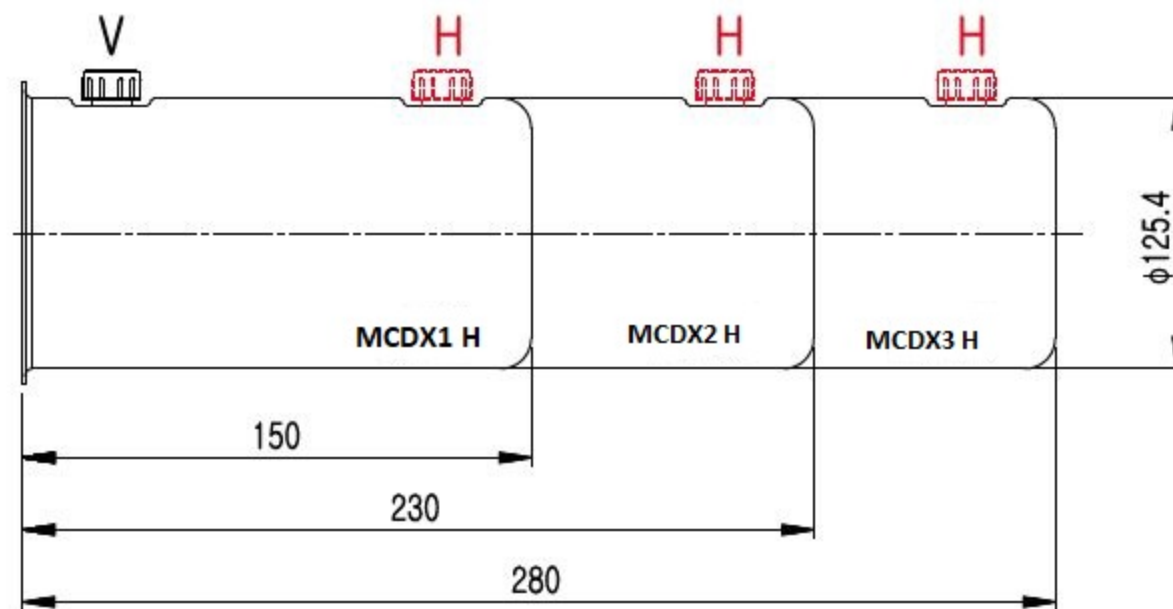


MCD25V H / MCD30V H:



ITEM CODE	CAPACITY (ℓ)		
	TANK	USABLE	
		Horizontal Mounting	Vertical Mounting
MCDX1 H MCDX1V H	1	0.9	0.9
MCDX2 H MCDX2V H	2	1.7	1.9
MCDX3 H MCDX3V H	3	2.2	2.3

V = Vertical mounting

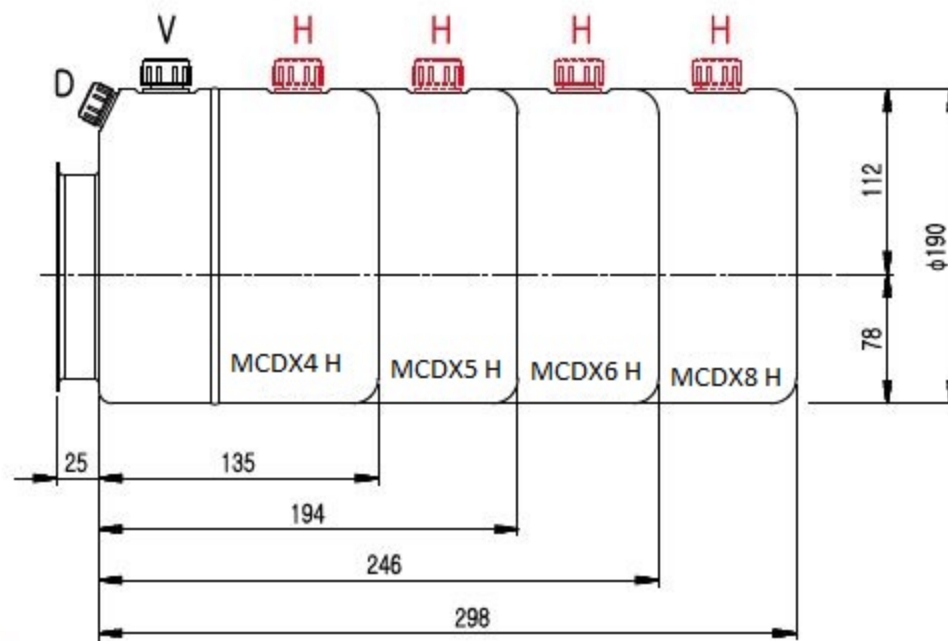


H = Horizontal mounting

ITEM CODE	CAPACITY (ℓ)			
	TANK	Horizontal Mounting	USABLE	
			Vertical Mounting	
			V-type	D-type
MCDX4 H MCDX4V H	4	3	2.1	2.7
MCDX5 H MCDX5V H	5	4	3.6	4.2
MCDX6 H MCDX6V H	6	5	5.0	5.5
MCDX8 H MCDX8V H	8	6	6.3	6.8



V = Vertical mounting



H = Horizontal mounting



CAPACITY (l)

ITEM CODE

TANK

USABLE

Horizontal Mounting

Vertical Mounting

MCDX11 H

11

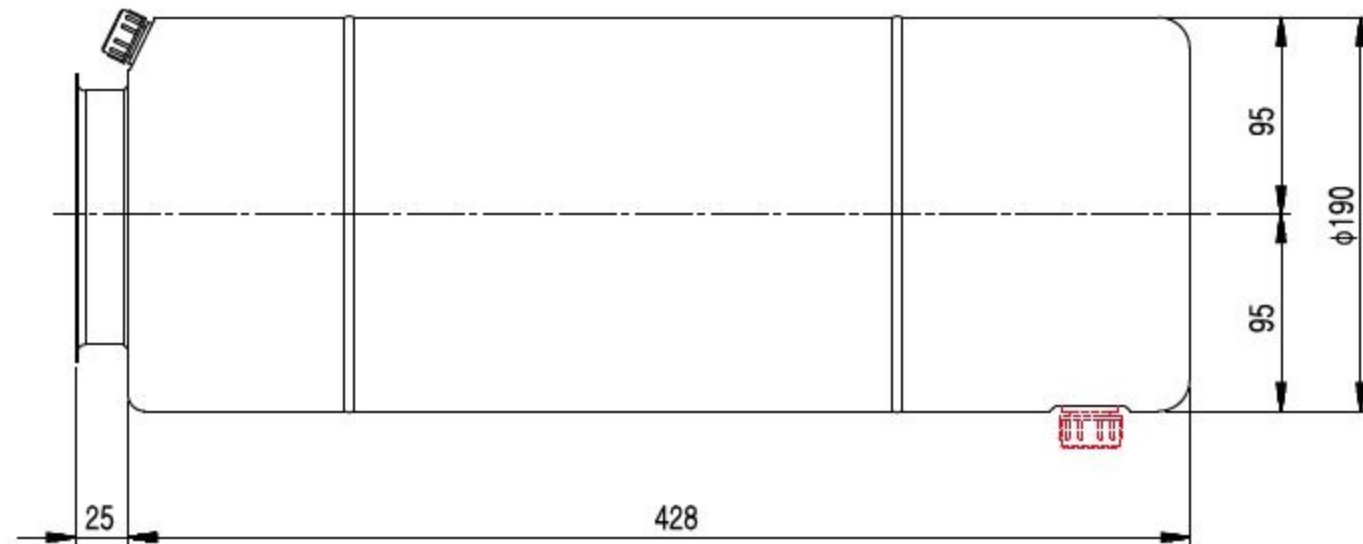
9.5

10.3

V = Vertical mounting

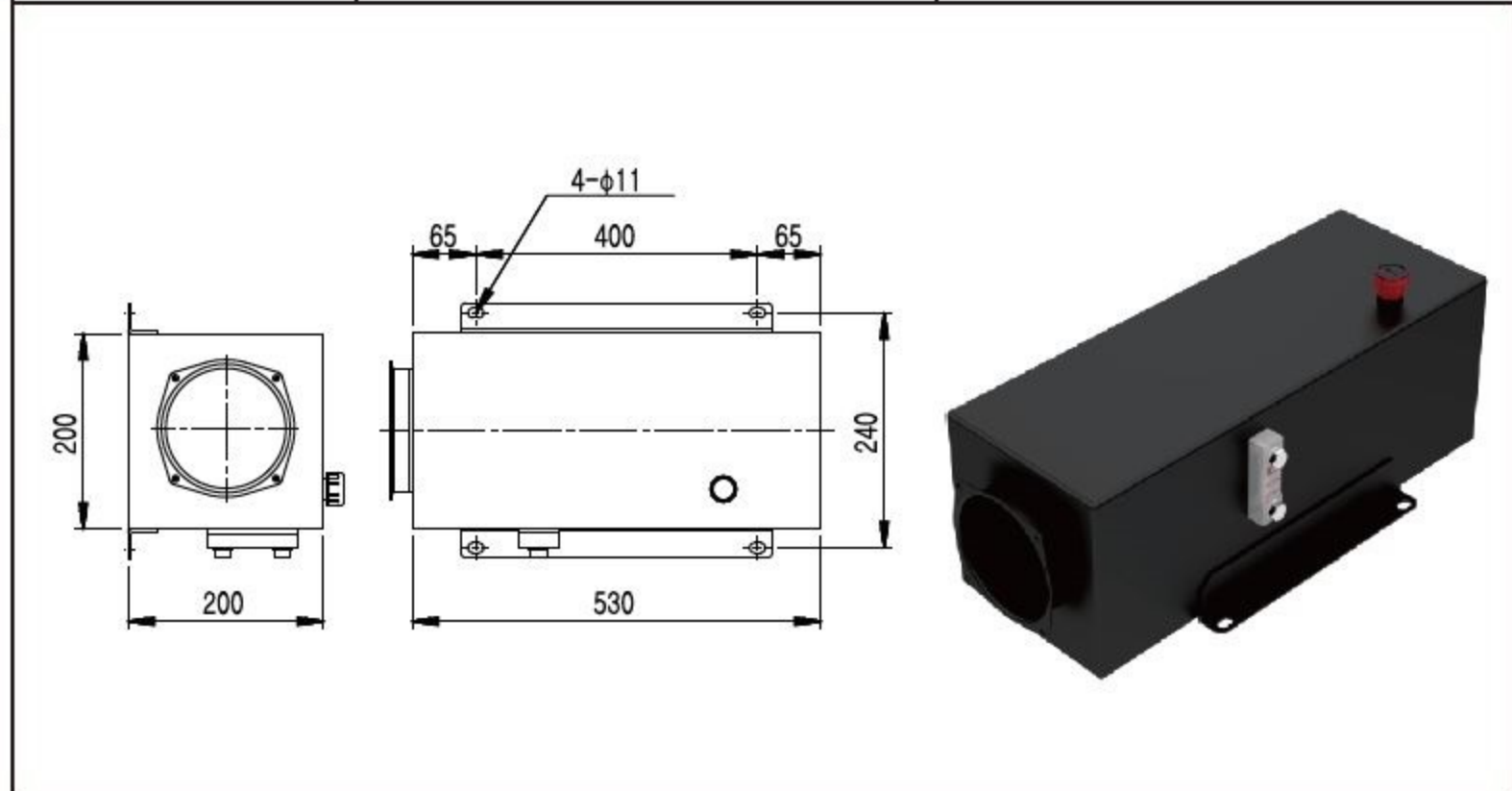
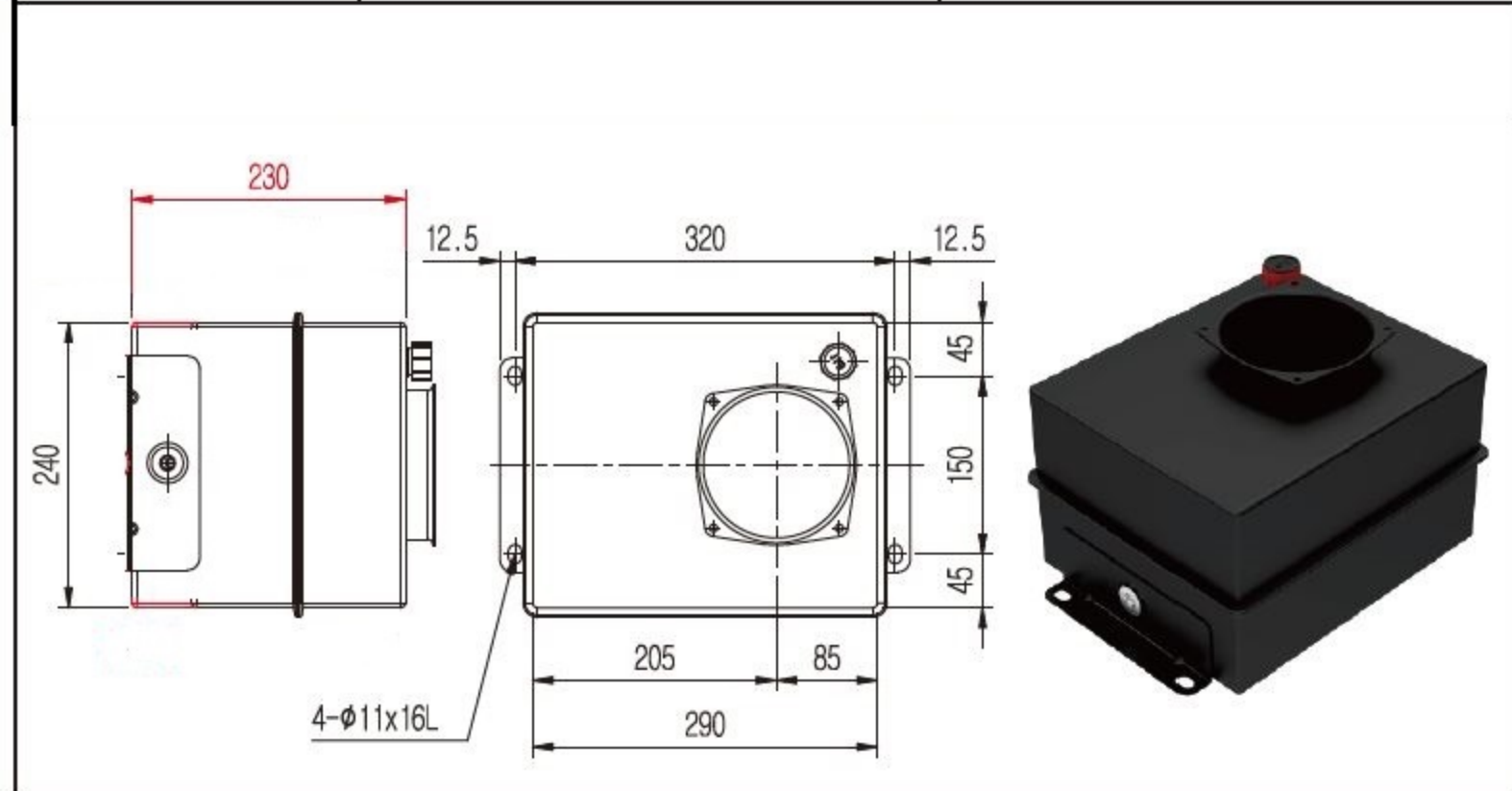


H = Horizontal mounting



ITEM CODE	CAPACITY (ℓ)	
	TANK	USABLE
MCDX15V H	15	12.2

ITEM CODE	CAPACITY (ℓ)	
	TANK	USABLE
MCDX20 H	20	16



ITEM CODE	CAPACITY (l)	
	TANK	USABLE
MCDX25V H	25	19.7
MCDX30V H	30	22.8

