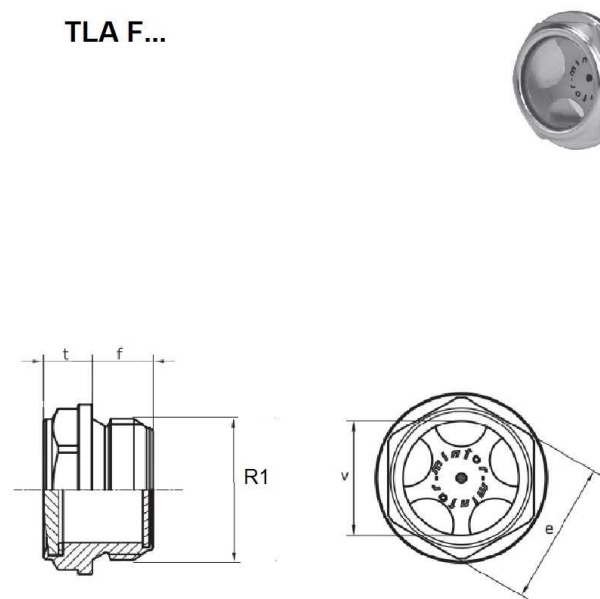


TLA...



TLA F...

**Visor:** policarbonato transparente

Artículo	R1	ØV	E	F	T
<b>TLA1G</b>	1/4" BSP	10	17	8	7
<b>TLA6G</b>	1"1/4 BSP	37	50	15	10
<b>TLA7G</b>	1"1/2 BSP	40	55	15	10
<b>TLA8G</b>	2" BSP	50	70	17	14
<b>TLA/F1G</b>	3/8" BSP	10	18	9.5	9
<b>TLA/F2G</b>	1/2" BSP	16	22	10.5	9
<b>TLA/F3G</b>	3/4" BSP	21	27	12	11
<b>TLA/F4G</b>	1" BSP	27	34	13.5	12
<b>TLA/F5G</b>	1"1/4 BSP	37	46	15	12

Presión máx: 5 bar  
Tª trabajo: -20 +100°C