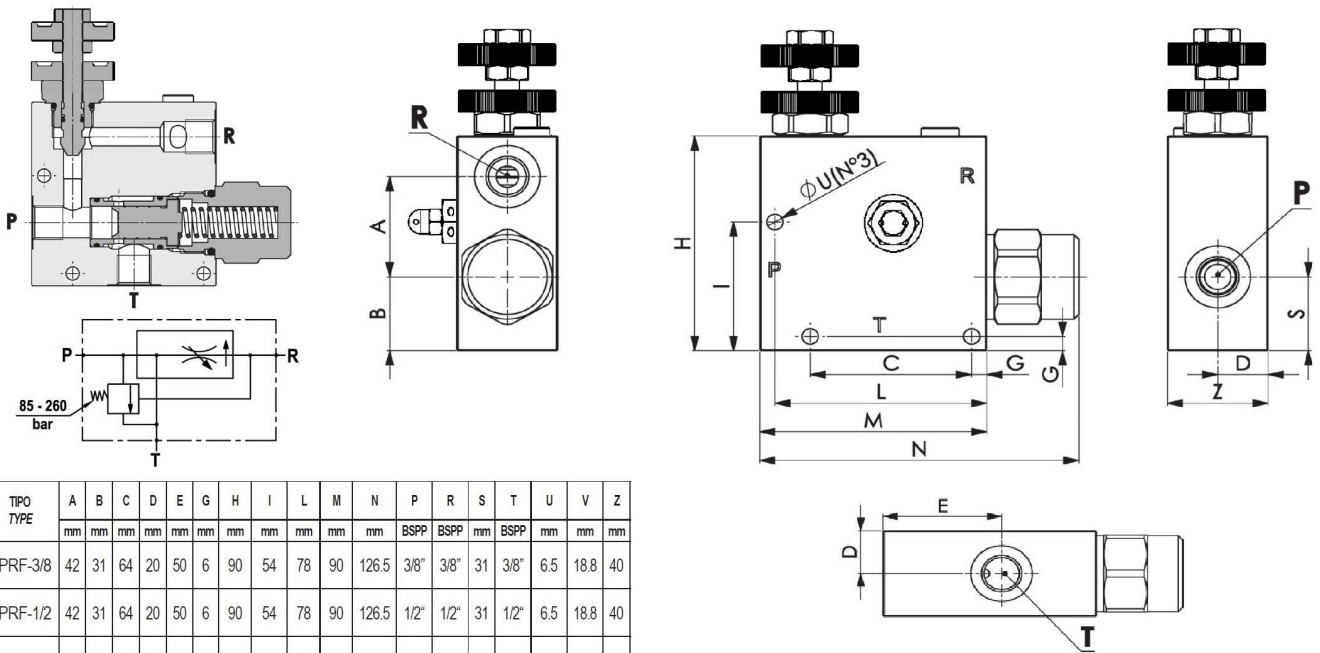


# Compensated flow control valve- FPRF type with relief valve



TIPO TYPE	A	B	C	D	E	G	H	I	L	M	N	P	R	S	T	U	V	Z
	mm	mm	mm	mm	mm	mm	mm	mm	mm	mm	mm	BSP	BSP	mm	BSP	mm	mm	mm
FPRF-3/8	42	31	64	20	50	6	90	54	78	90	126.5	3/8"	3/8"	31	3/8"	6.5	18.8	40
FPRF-1/2	42	31	64	20	50	6	90	54	78	90	126.5	1/2"	1/2"	31	1/2"	6.5	18.8	40
FPRF-3/4	50	35	88	25	66	8	110	63.5	94	110	144.7	3/4"	3/4"	35	3/4"	8.5	16.8	50

Part n°	R1	Max. flow (l/min)	Max. reg. flow (l/min)	Max. Press. (bar)
<b>FPRF3/8GVM210</b>	3/8" BSP	50	30	250
<b>VSRF3/8GVM210</b>	3/8" BSP	50	30	250
<b>VSRF1/2GVM210</b>	1/2" BSP	90	50	250
<b>VSRF3/4GVM210</b>	3/4" BSP	150	90	250