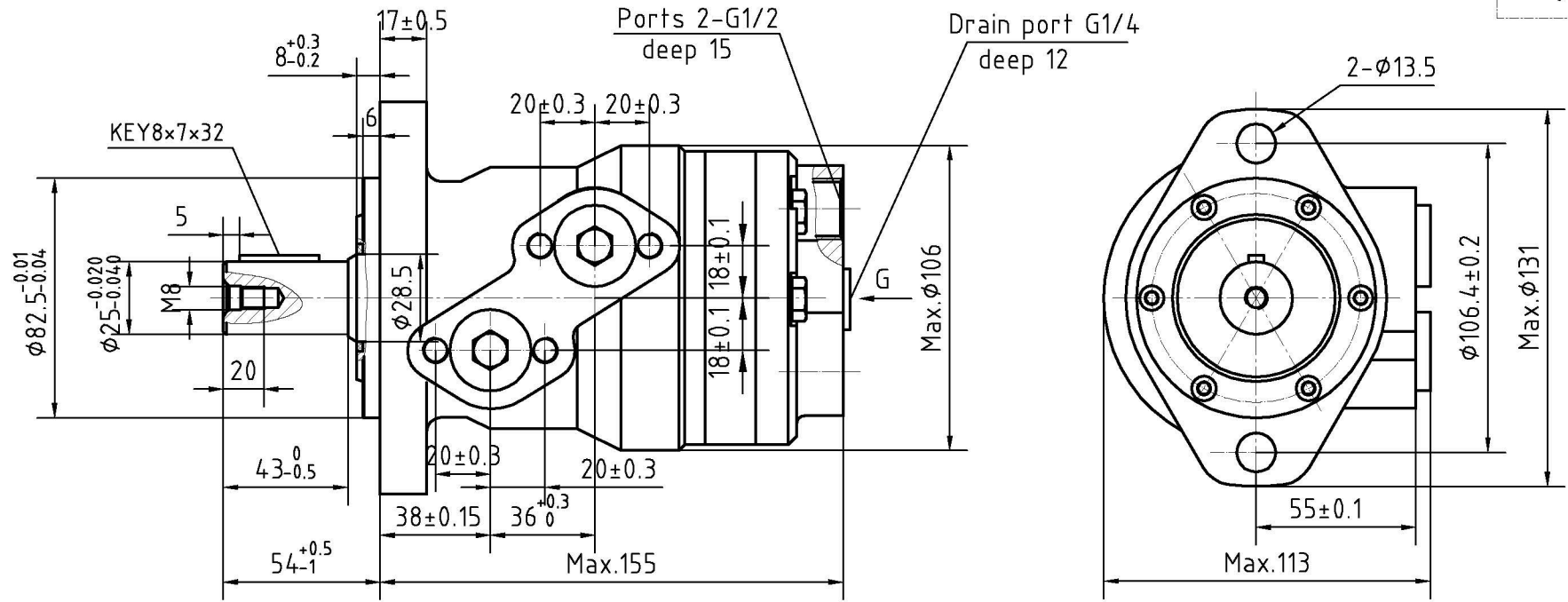
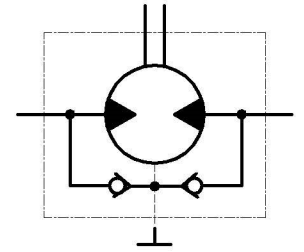


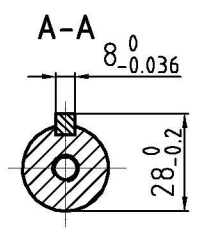
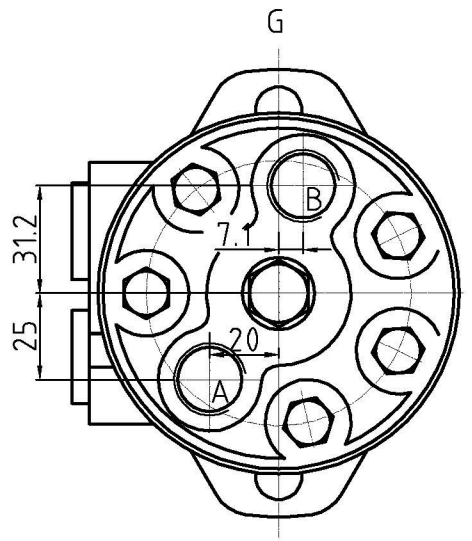
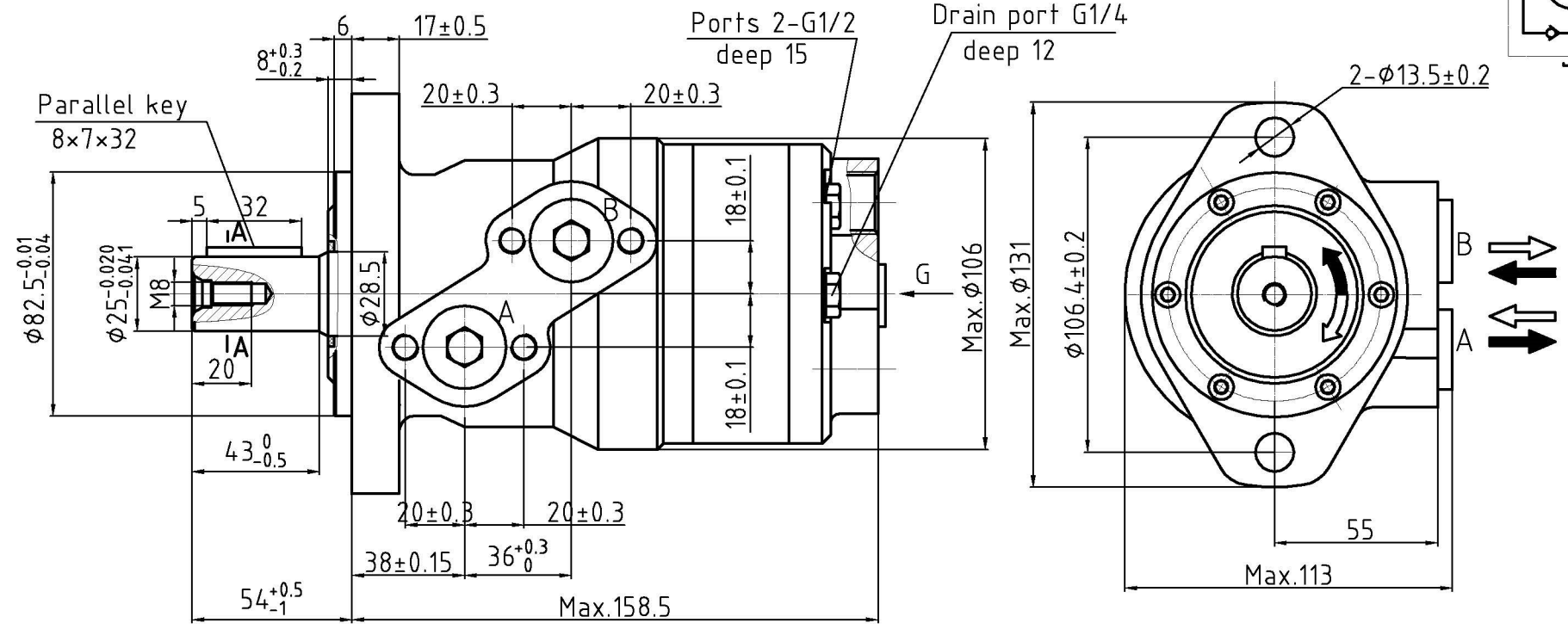
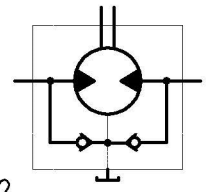
Standard Rotation
Viewed from Shaft End

Port A Pressurized-CW
Port B Pressurized-CCW



Standard Rotation
Viewed from Shaft End

Port A Pressurized-CW
Port B Pressurized-CCW



| | |
|----------------------|-------|
| Displacement(ml/r) | 100.5 |
| Max.pressure(Mpa) | 17.5 |
| Max.torque(Nm) | 236 |
| Max.speed(r/min) | 595 |
| Max.flow(L/min) | 60 |
| Max.output.power(Kw) | 12.5 |

| | | | |
|------|-------------|-------------|-----------|
| Rev. | Description | Date | 2023/4/24 |
| | | DESIGNED BY | YJJ |
| | | CHECK BY | JKL |

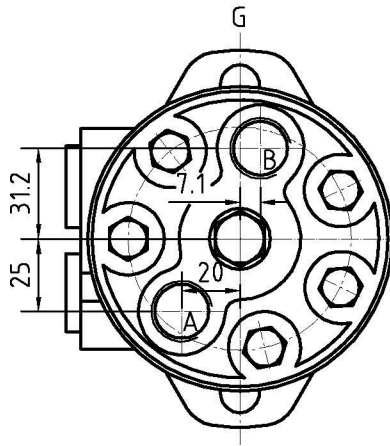
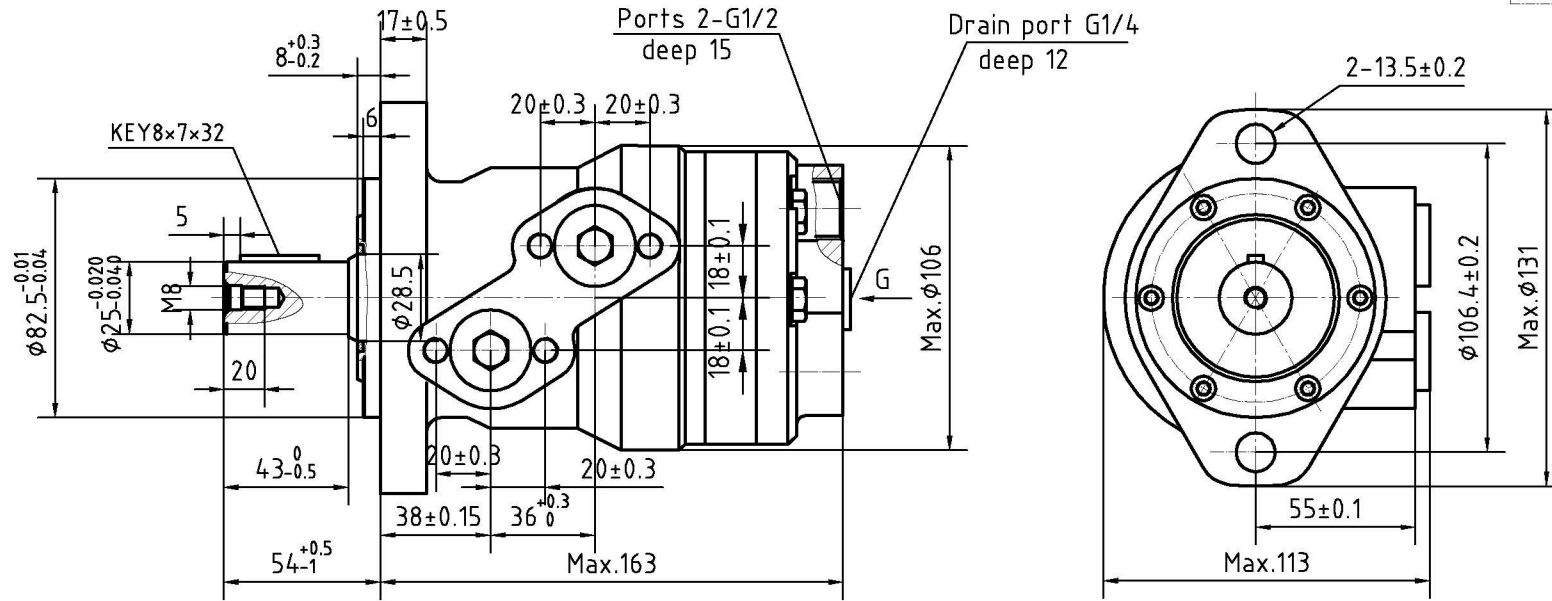
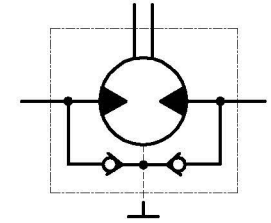
| | |
|-------------|------------------|
| DESCRIPTION | MOMR100TT |
|-------------|------------------|

Do not try to interpret the technical drawing, please contact us if you are in any doubt about it.

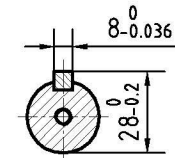
REPRODUCTION NOT PERMITTED ALL RIGHT RESERVED

Standard Rotation
Viewed from Shaft End

Port A Pressurized-CW
Port B Pressurized-CCW



1. Displacement: 126.3ml/r;
2. Max. pressure:17.5Mpa;
3. Max.torque:296Nm;
4. Max. speed:475r/min;
5. Max.Flow:60L/min;
6. Max.output Power:12.5Kw.

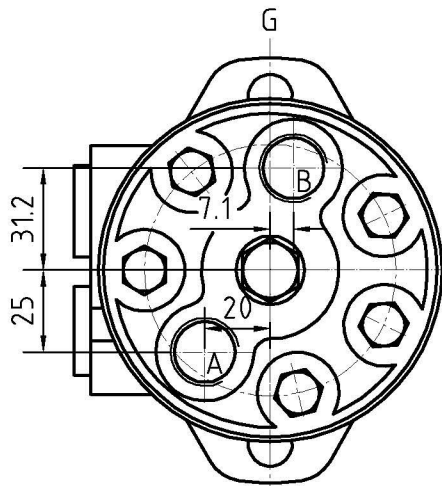
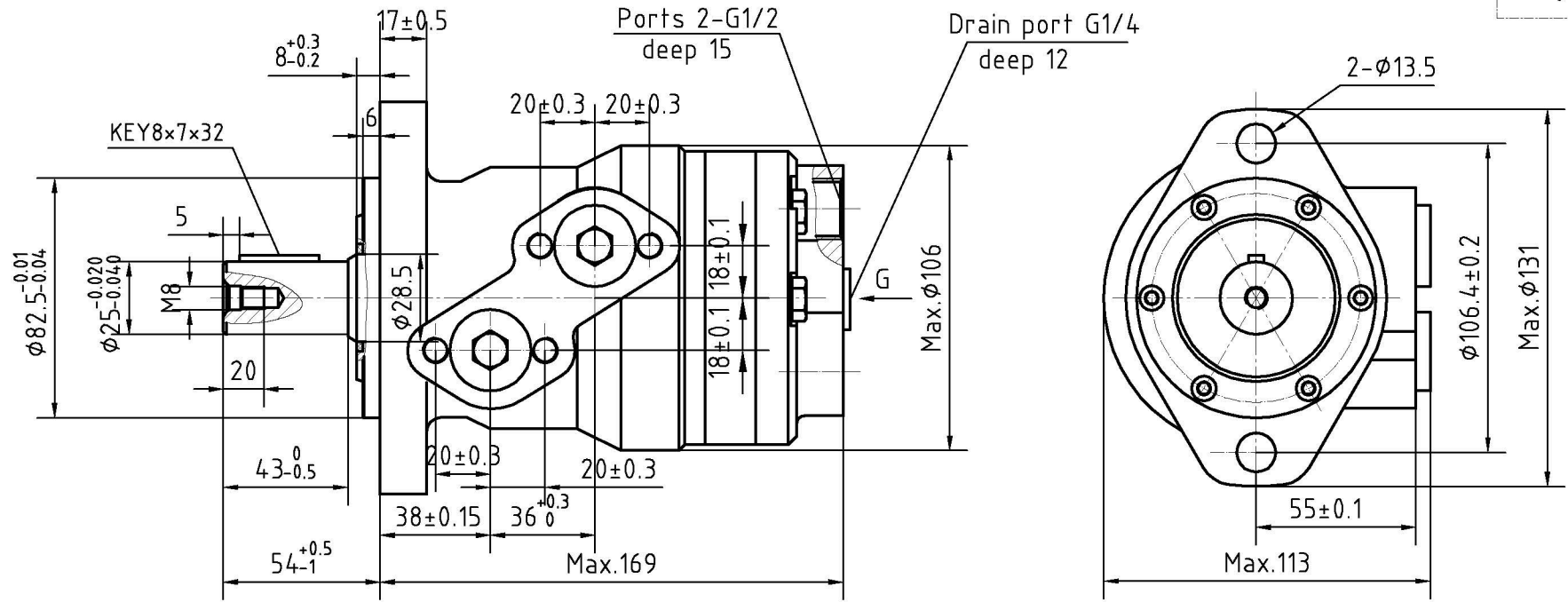
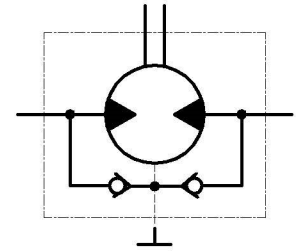


Do not try to interpret the technical drawing, please contact us if you are in any doubt about it.

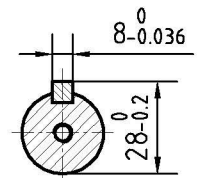
| Rev. | Description | Date | 2024.7.26 |
|-----------------------------------------------|-------------|------------------|-----------|
| | | DESIGNED BY | JKL |
| | | CHECK BY | HGJ |
| DESCRIPTION | | MOMR125TT | |
| REPRODUCTION NOT PERMITTED ALL RIGHT RESERVED | | | |

Standard Rotation
Viewed from Shaft End

Port A Pressurized-CW
Port B Pressurized-CCW



1. Displacement: 160.8ml/r;
2. Max. pressure:17.5Mpa;
3. Max.torque:380Nm;
4. Max.speed:370r/min;
5. Max.Flow:60L/min;
6. Max.output Power:12.5Kw.



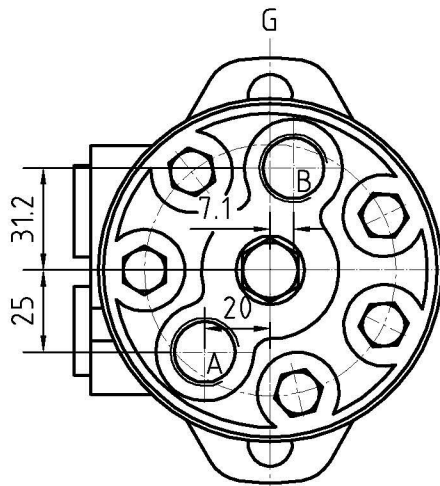
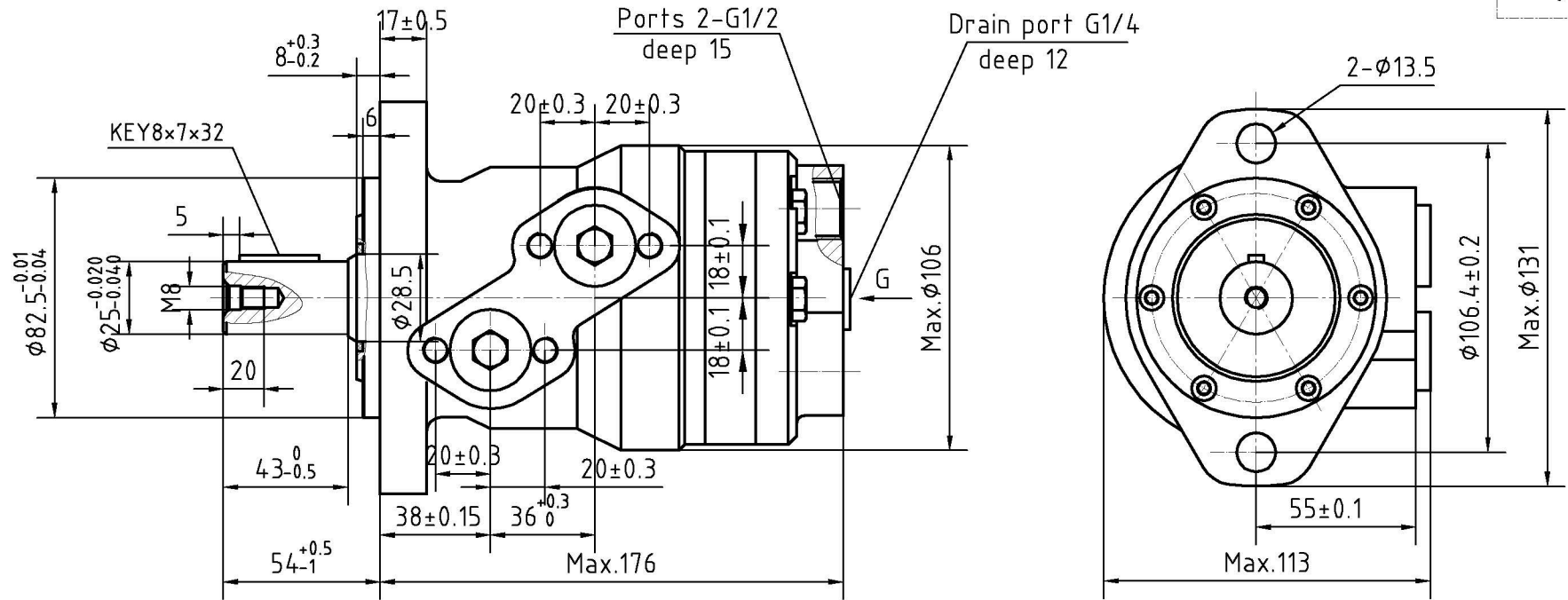
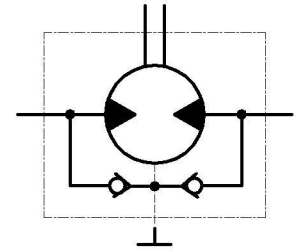
| Rev. | Description | Date | 2024.7.27 |
|------|-------------|-------------|-----------|
| | | DESIGNED BY | JKL |
| | | CHECK BY | HGJ |

| | |
|-------------|------------------|
| DESCRIPTION | MOMR160TT |
|-------------|------------------|

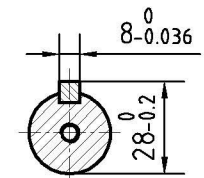
Do not try to interpret the technical drawing, please contact us if you are in any doubt about it.

Standard Rotation
Viewed from Shaft End

Port A Pressurized-CW
Port B Pressurized-CCW



1. Displacement: 200.9ml/r
2. Max.pressure: 17.5Mpa;
3. Max.torque: 455Nm;
4. Max. speed :295r/min.
5. Max.flow: 60L/min
6. Max.output.power:11.5Kw.



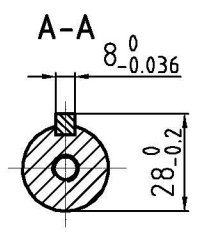
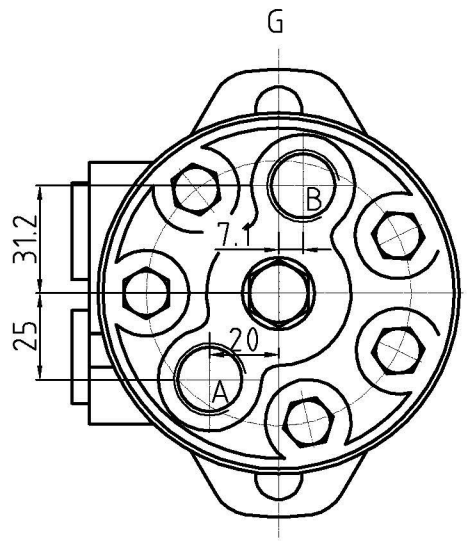
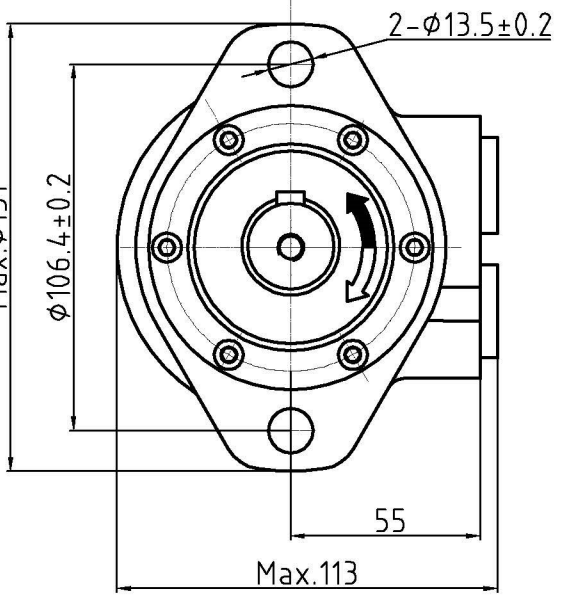
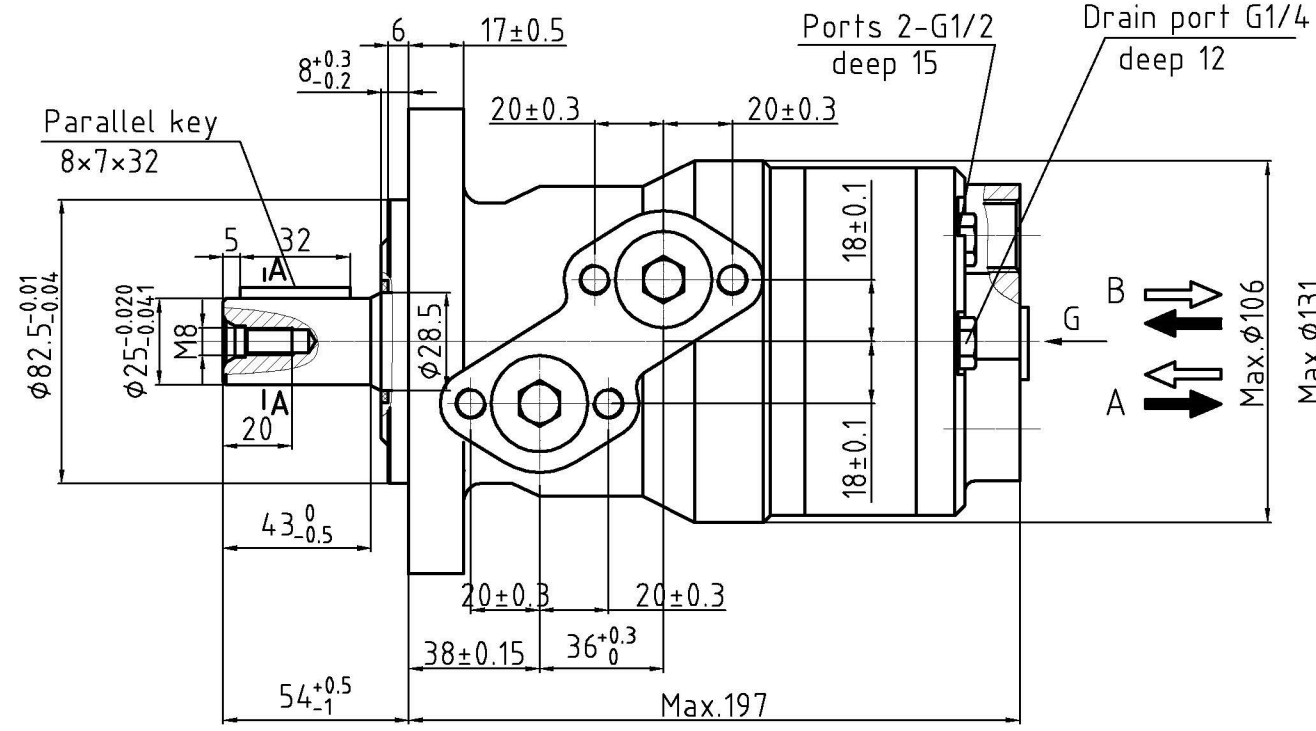
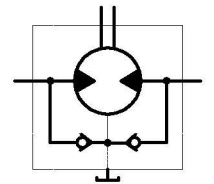
| Rev. | Description | Date | 2024.7.27 |
|------|-------------|-------------|-----------|
| | | DESIGNED BY | JKL |
| | | CHECK BY | HGJ |

| | |
|-------------|------------------|
| DESCRIPTION | MOMR200TT |
|-------------|------------------|

Do not try to interpret the technical drawing, please contact us if you are in any doubt about it.

Standard Rotation
Viewed from Shaft End

Port A Pressurized-CW
Port B Pressurized-CCW



| | |
|----------------------|-------|
| Displacement(ml/r) | 321.5 |
| Max.pressure(Mpa) | 12 |
| Max.torque(Nm) | 490 |
| Max.speed(r/min) | 185 |
| Max.flow(L/min) | 60 |
| Max.output.power(Kw) | 8 |

| | | | |
|------|-------------|-------------|-----------|
| Rev. | Description | Date | 2024/7/24 |
| | | DESIGNED BY | YJJ |
| | | CHECK BY | JKL |

| | |
|-------------|------------------|
| DESCRIPTION | MOMR315TT |
|-------------|------------------|

Do not try to interpret the technical drawing, please contact us if you are in any doubt about it.

REPRODUCTION NOT PERMITTED ALL RIGHT RESERVED