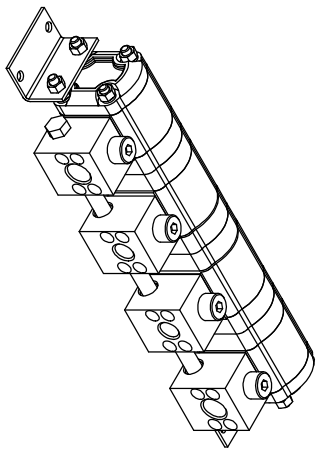


- Technical Specification:
1. Number of copies : 4.
 2. Pressure of overflow valve : 20MPa.
 3. Synchronization accuracy :53%.
 4. Shell material : Aluminum profile.
 5. Inlet : G1/2 Outlet: G3/8 Oil return:M12x1.5.
 6. Test medium: hydraulic oil#32
 7. All oilports are protected with plugs.

DISPLACEMENT (ml/r)	A(mm)	B(mm)	C(mm)	D(mm)	Single connection flow (L/min)
8.0	73.5	102.1	484.4	453.2	64~24.0
7.1	72	99.1	472.4	441.2	5.68~21.3
6.1	70.5	96.1	460.4	429.2	4.88~18.3
5.1	69	93.1	448.4	417.2	4.08~15.3
4.1	67.5	90.1	436.4	405.2	3.28~12.3
3.4	66.5	88.1	428.4	397.2	2.72~10.2
3.0	66	87.1	424.4	393.2	2.4~9.0
2.7	65.5	86.1	420.4	389.2	2.16~8.1
2.4	65	85.1	416.4	385.2	1.92~7.2
2.0	64.5	84.1	412.4	381.2	1.6~6.0
1.7	64	83.1	408.4	377.2	1.36~5.1



UNLESS OTHERWISE SPECIFIED ALL TOLERANCES ARE +/- 0.15mm

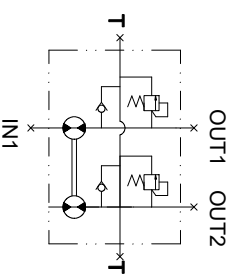
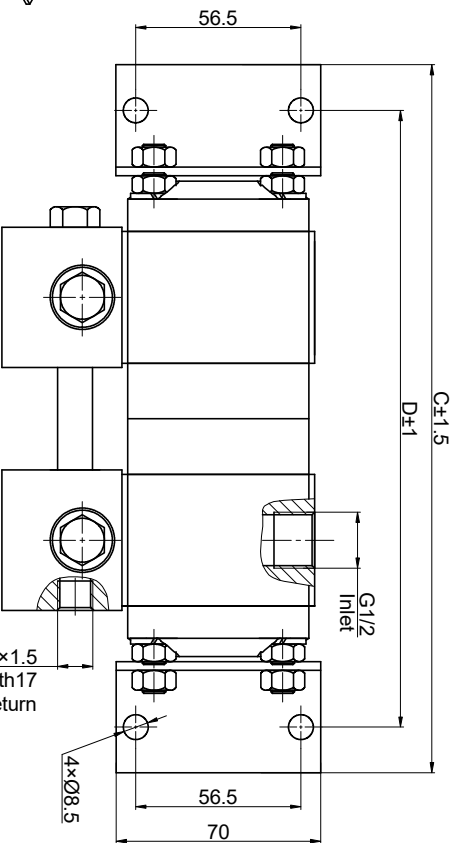
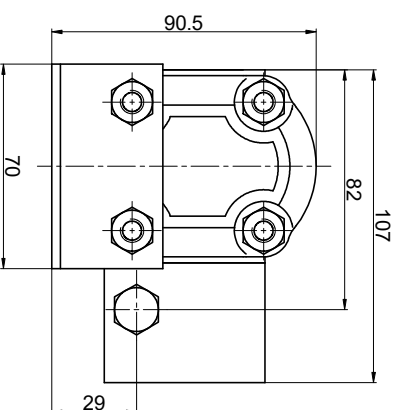
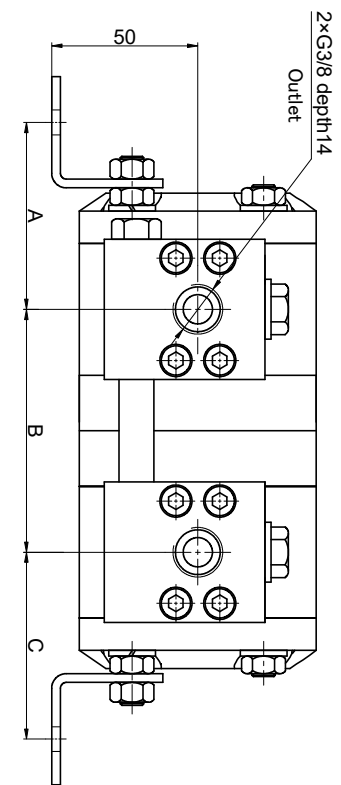
ALL ANGLES +/- 1° UNLESS OTHERWISE SPECIFIED SURFACE

3/2 MAX

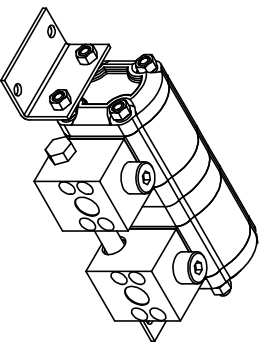
2/5 MAX

UNLESS OTHERWISE SPECIFIED ALL DIMENSIONS ARE IN MILLIMETERS SURFACE FINISH IN MICROMETERS RD.

DRAWN BY / DATE	T. H. RAO 13 APR 26	DO NOT SCALE
CHECKED BY / DATE	P. F. YOU 13 APR 26	DESCRIPTION
APPROVED BY / DATE	13 APR 26	SHUNT MOTOR
MASS SCALE	kg	A*****
SHEET 1 OF 1	REV V01.00	



- Technical Specification:**
1. Number of copies : 2.
 2. Pressure of overflow valve : 20MPa.
 3. Synchronization accuracy ≤3%.
 4. Shell material : Aluminum profile.
 5. Inlet: G1/2 Outlet: G3/8 return:M12x1.5.
 6. Test medium: hydraulic oil #32
 7. All oilports are protected with plugs.



8.0	73.5	102.1	280.2	249	6.4~24.0	
7.1	72	99.1	274.2	243	5.68~21.3	
6.1	70.5	96.1	268.2	237	4.88~18.3	
5.1	69	93.1	262.2	231	4.08~15.3	
4.1	67.5	90.1	256.2	225	3.28~12.3	
3.4	66.5	88.1	252.2	221	2.72~10.2	
3.0	66	87.1	250.2	219	2.4~9.0	
2.7	65.5	86.1	248.2	217	2.16~8.1	
2.4	65	85.1	246.2	215	1.92~7.2	
2.0	64.5	84.1	244.2	213	1.6~6.0	
1.7	64	83.1	242.2	211	1.36~5.1	
DISPLACEMENT (mL/r)		A(mm)	B(mm)	C(mm)	D(mm)	Single connection flow (L/min)

UNLESS OTHERWISE SPECIFIED ALL TOLERANCES ARE ±0.15mm

UNLESS OTHERWISE SPECIFIED ALL DIMENSIONS ARE IN MILLIMETERS SURFACE FINISH IN MICROMETERS R_a

ALL ANGLES ±0.1 UNLESS OTHERWISE SPECIFIED SURFACE

√3/2 MAX

√2/5 MAX

DRAWN BY / DATE	T.H.RAO 13 APR 26	DO NOT SCALE
CHECKED BY / DATE	P.F.YOU 13 APR 26	DESCRIPTION
APPROVED BY / DATE	13 APR 26	SHUNT MOTOR
MASS kg		A*****
SCALE	FIRST ANGLE PROJECTION	CUSTOMER PART NUMBER
SHEET 1 OF 1	REV V01.00	