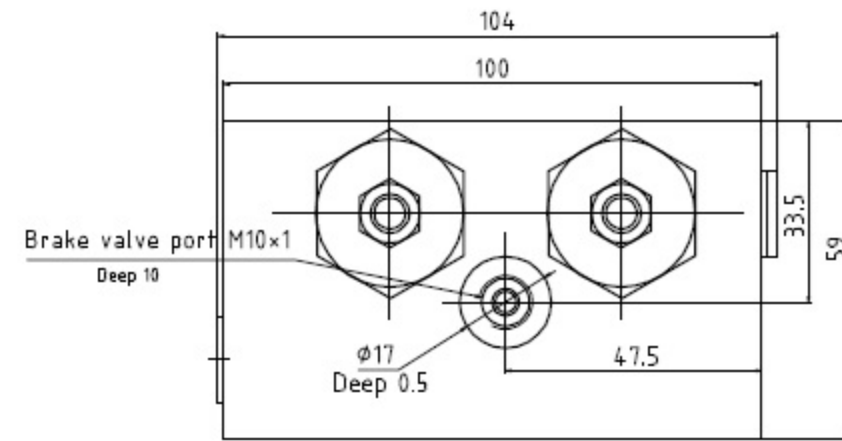


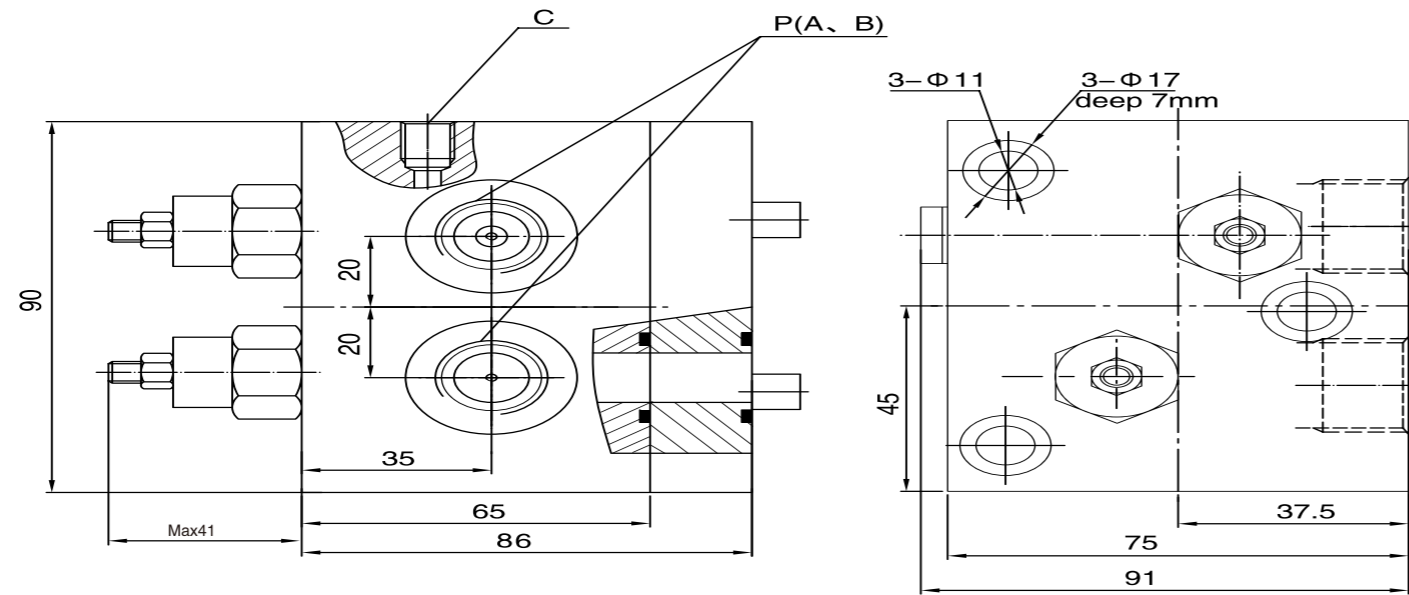
**VOMOMPRH**

Type	Flow Rate	Pressure Range	Range Pilof ratio
K3-BMR	60L/min	14-35Mpa	4.5



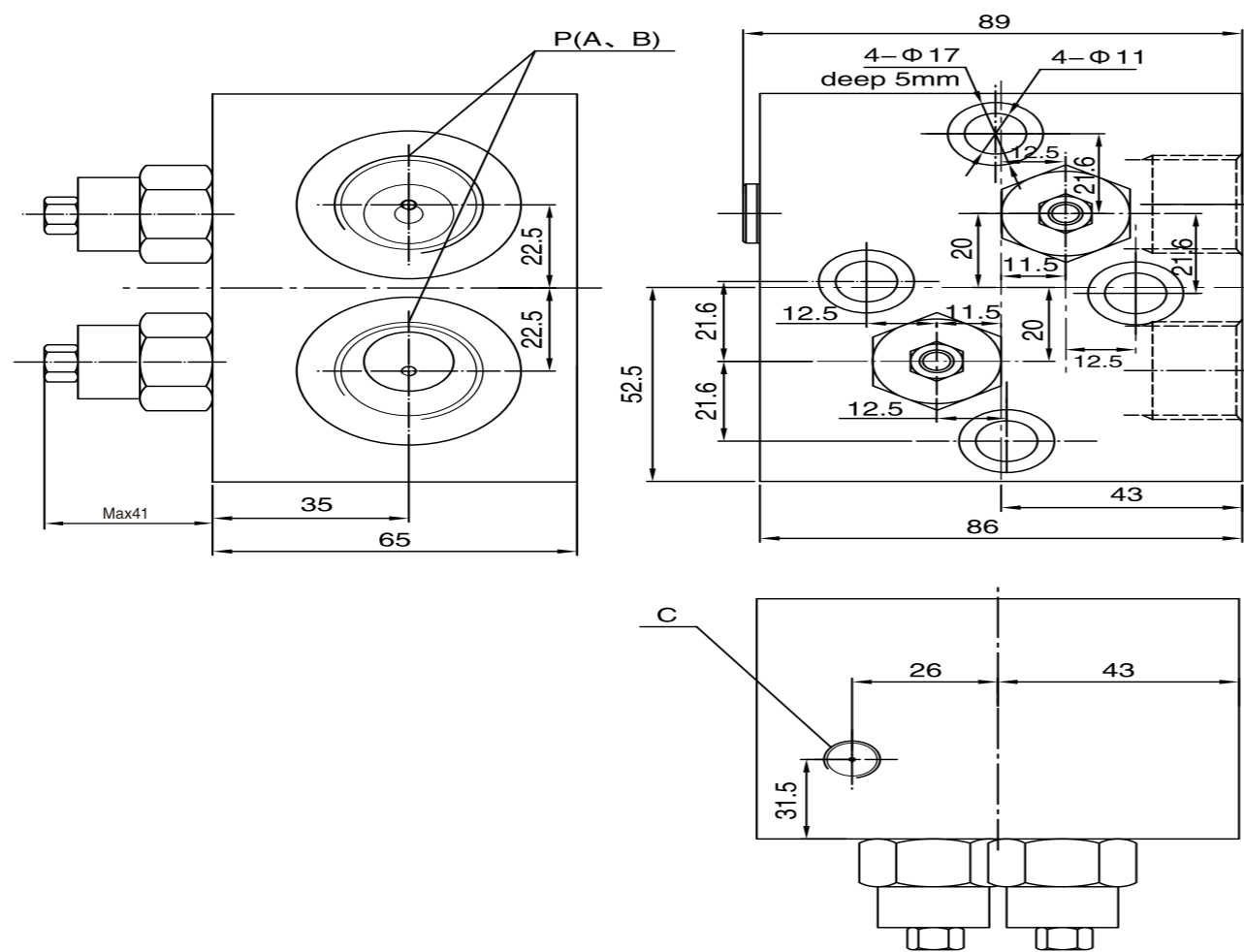
The surface of valve is galvanized.

VOMOMS



Code	P(A, B) (depth)	C (depth)
Y	G1/2(15)	M10 × 1 (10)
Y2	M22 × 1.5 (15)	M10 × 1 (10)

VOMOMT



Code	P(A, B) (depth)	C (depth)
Y	G3/4(15)	M10 × 1 (10)
Y4	M22 × 1.5 (15)	M10 × 1 (10)