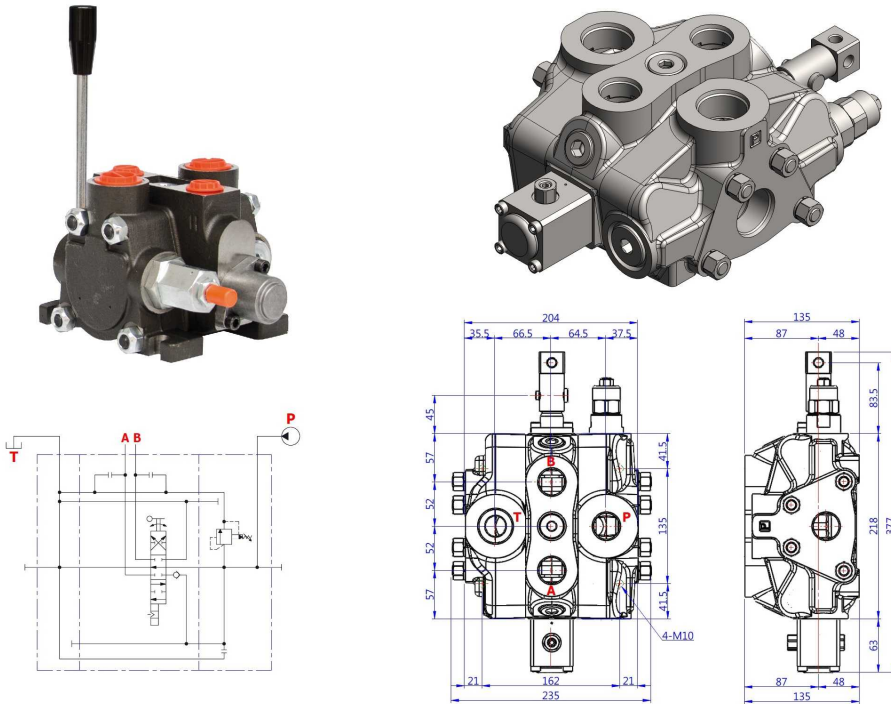


**Rotary control valve 1" BSP, 240l/min, open center
a/w R.V.**



Part n°	R1	Max. flow (l/min)	Max. Press. (bar)
YFM240/1 M ROT	1" BSP	240	315