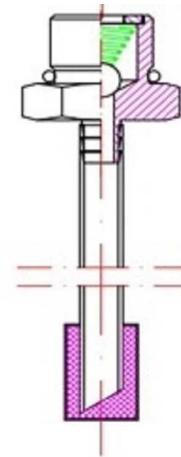
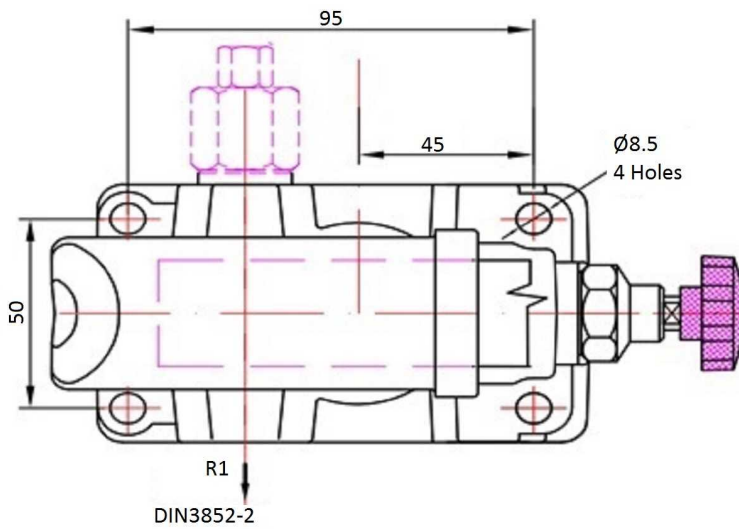
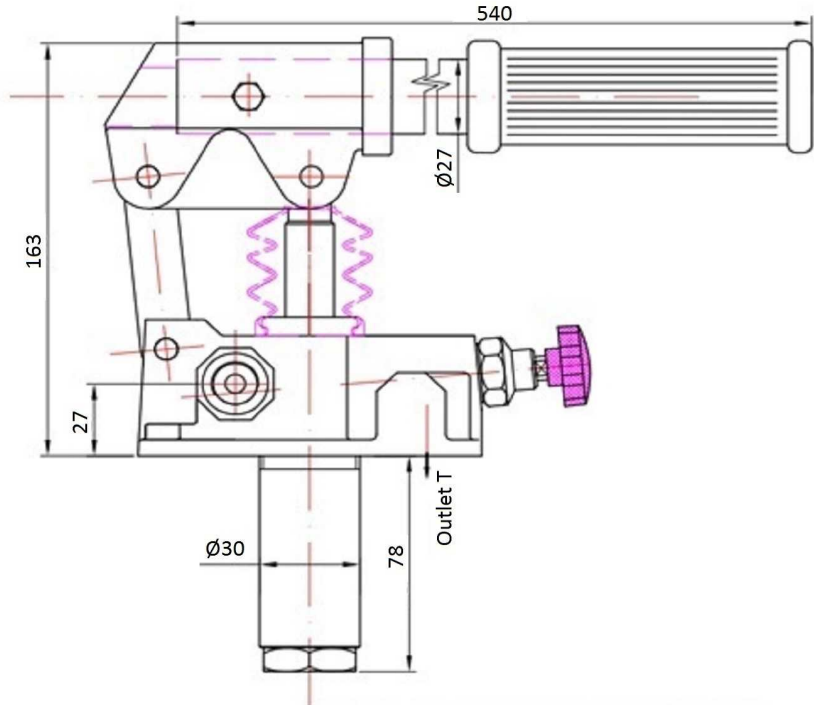
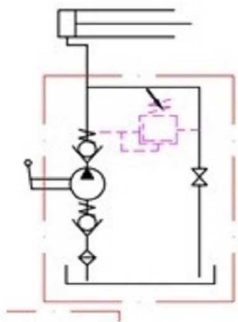




Medidas / Dimensions  
 3L 100x170x220 mm  
 5L 175x175x200 mm



Application of pressure in both directions of the lever.  
 No relief valve.

Hydraulic hand pumps

Hydraulic hand pump Single Act., with lever, bellows and tank

Page: 2/2

Part n°	R1	Max. Press. (bar)	Cap. (l)	FLOW (cm <sup>3</sup> )
<b>BMTSE12F05</b>	3/8" BSP	320	5	12
<b>BMTSE25F03</b>	3/8" BSP	250	3	25
<b>BMTSE25F05</b>	3/8" BSP	250	5	25