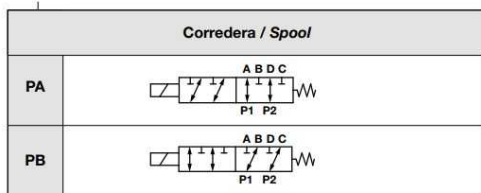
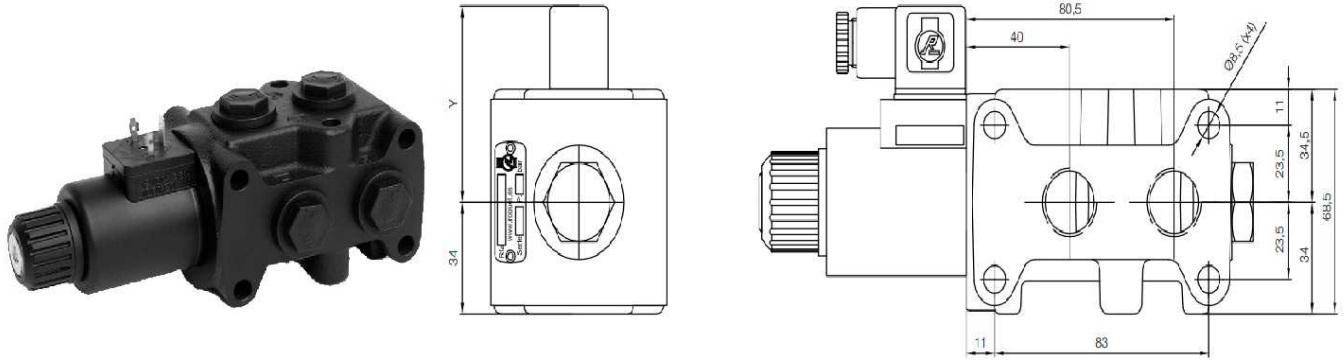


**Elettrovalvola deviatrice a 6 vie modulare**



Codice	R1	Voltaggio (V)	Portata max. (l/min)	Press. max.
<b>6VAB1D12MPASD005</b>	3/8" BSP	12 VDC	40	250
<b>6VAC1D12MPBSD005</b>	1/2" BSP	12VDC	40	250
<b>6VAB1D24MPASD000</b>	3/8" BSP	24 VDC	40	250