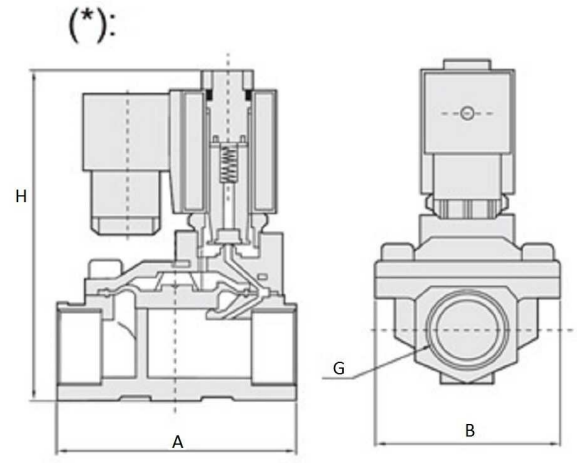
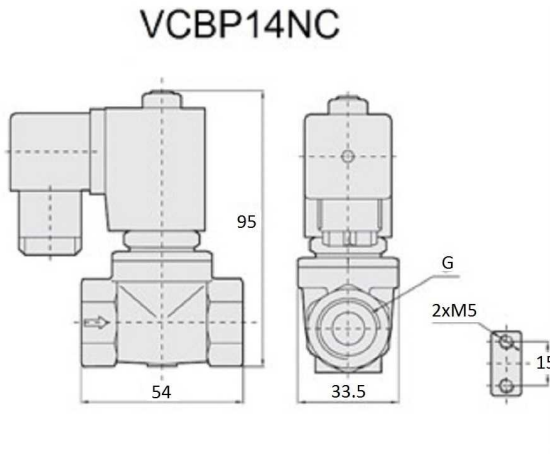
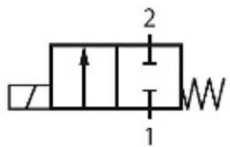


Low pressure valves

Brass

Low pressure valve with solenoid normally closed

Page: 1/2



Max. Temperature: 80°C

Joints: NBR

Material: Brass

| Part n° | R1 | Min. Press. (bar) | Voltage (V) | AIR/WATER MAX. PRESSURE (bar) | A | B | H |
|---------------|----------|-------------------|-------------|-------------------------------|----|----|-----|
| VCBP14NC12CC | 1/4" BSP | 0 | 12 VDC | 16 | - | - | - |
| VCBP38NC12CC | 3/8" BSP | 0,5 | 12 VDC | 16 | 66 | 48 | 112 |
| VCBP12NC12CC | 1/2" BSP | 0,5 | 12 VDC | 16 | 66 | 48 | 112 |
| VCBP34NC12CC | 3/4" BSP | 0,5 | 12 VDC | 13 | 75 | 58 | 118 |
| VCBP1NC12CC | 1" BSP | 0,5 | 12 VDC | 10 | 96 | 70 | 131 |
| VCBP14NC24CC | 1/4" BSP | 0 | 24 VDC | 16 | - | - | - |
| VCBP38NC24CC | 3/8" BSP | 0,5 | 24 VDC | 16 | 66 | 48 | 112 |
| VCBP12NC24CC | 1/2" BSP | 0,5 | 24 VDC | 16 | 66 | 48 | 112 |
| VCBP34NC24CC | 3/4" BSP | 0,5 | 24 VDC | 13 | 75 | 58 | 118 |
| VCBP1NC24CC | 1" BSP | 0,5 | 24 VDC | 10 | 96 | 70 | 131 |
| VCBP14NC24CA | 1/4" BSP | 0 | 24 VAC | 18 | - | - | - |
| VCBP38NC24CA | 3/8" BSP | 0,5 | 24 VAC | 18 | 66 | 48 | 112 |
| VCBP12NC24CA | 1/2" BSP | 0,5 | 24 VAC | 18 | 66 | 48 | 112 |
| VCBP34NC24CA | 3/4" BSP | 0,5 | 24 VAC | 16 | 75 | 58 | 118 |
| VCBP1NC24CA | 1" BSP | 0,5 | 24 VAC | 12 | 96 | 70 | 131 |
| VCBP14NC110CA | 1/4" BSP | 0 | 110 VAC | 18 | - | - | - |
| VCBP38NC110CA | 3/8" BSP | 0,5 | 110 VAC | 18 | 66 | 48 | 112 |
| VCBP12NC110CA | 1/2" BSP | 0,5 | 110 VAC | 18 | 66 | 48 | 112 |

Low pressure valves

Brass

Low pressure valve with solenoid normally closed

Page: 2/2

| Part n° | R1 | Min. Press. (bar) | Voltage (V) | AIR/WATER MAX. PRESSURE (bar) | A | B | H |
|----------------------|----------|-------------------|-------------|-------------------------------|----|----|-----|
| VCBP34NC110CA | 3/4" BSP | 0,5 | 110 VAC | 16 | 75 | 58 | 118 |
| VCBP1NC110CA | 1" BSP | 0,5 | 110 VAC | 12 | 96 | 70 | 131 |
| VCBP14NC220CA | 1/4" BSP | 0 | 220 VAC | 18 | - | - | - |
| VCBP38NC220CA | 3/8" BSP | 0,5 | 220 VAC | 18 | 66 | 48 | 112 |
| VCBP12NC220CA | 1/2" BSP | 0,5 | 220 VAC | 18 | 66 | 48 | 112 |
| VCBP34NC220CA | 3/4" BSP | 0,5 | 220 VAC | 16 | 75 | 58 | 118 |
| VCBP1NC220CA | 1" BSP | 0,5 | 220 VAC | 12 | 96 | 70 | 131 |

(*) Image on the right: rest of references different from VCBP14NC.
Max pressure, other fluids, consult