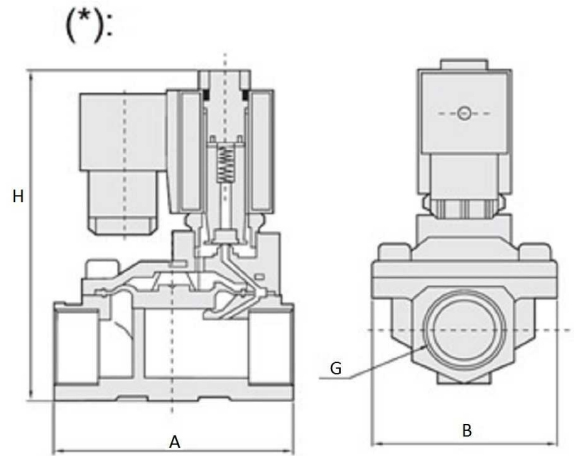
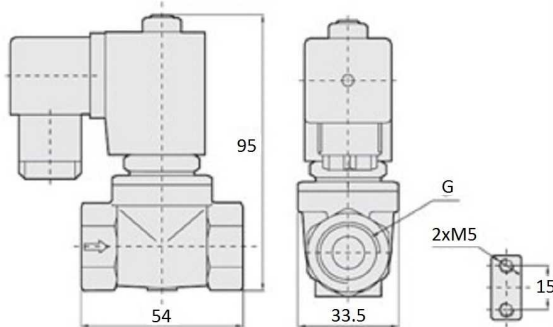


VCBP14NC



Artikel	R1	Druck Min (bar)	Spannung	AIR/WASSER MAX. DRUCK (bar)	A	B	H
VCBP14NC12CC	1/4" BSP	0	12 VDC	16	-	-	-
VCBP38NC12CC	3/8" BSP	0,5	12 VDC	16	66	48	112
VCBP12NC12CC	1/2" BSP	0,5	12 VDC	16	66	48	112
VCBP34NC12CC	3/4" BSP	0,5	12 VDC	13	75	58	118
VCBP1NC12CC	1" BSP	0,5	12 VDC	10	96	70	131
VCBP14NC24CC	1/4" BSP	0	24 VDC	16	-	-	-
VCBP38NC24CC	3/8" BSP	0,5	24 VDC	16	66	48	112
VCBP12NC24CC	1/2" BSP	0,5	24 VDC	16	66	48	112
VCBP34NC24CC	3/4" BSP	0,5	24 VDC	13	75	58	118
VCBP1NC24CC	1" BSP	0,5	24 VDC	10	96	70	131
VCBP14NC24CA	1/4" BSP	0	24 VAC	18	-	-	-
VCBP38NC24CA	3/8" BSP	0,5	24 VAC	18	66	48	112
VCBP12NC24CA	1/2" BSP	0,5	24 VAC	18	66	48	112
VCBP34NC24CA	3/4" BSP	0,5	24 VAC	16	75	58	118
VCBP1NC24CA	1" BSP	0,5	24 VAC	12	96	70	131
VCBP14NC110CA	1/4" BSP	0	110 VAC	18	-	-	-
VCBP38NC110CA	3/8" BSP	0,5	110 VAC	18	66	48	112
VCBP12NC110CA	1/2" BSP	0,5	110 VAC	18	66	48	112
VCBP34NC110CA	3/4" BSP	0,5	110 VAC	16	75	58	118
VCBP1NC110CA	1" BSP	0,5	110 VAC	12	96	70	131
VCBP14NC220CA	1/4" BSP	0	220 VAC	18	-	-	-
VCBP38NC220CA	3/8" BSP	0,5	220 VAC	18	66	48	112
VCBP12NC220CA	1/2" BSP	0,5	220 VAC	18	66	48	112

Niederdruckventile

Messing

## Niederdruckventile mit Spule normal geschlossen

2/2

Artikel	R1	Druck Min (bar)	Spannung	AIR/WASSER MAX. DRUCK (bar)	A	B	H
<b>VCBP34NC220CA</b>	3/4" BSP	0,5	220 VAC	16	75	58	118
<b>VCBP1NC220CA</b>	1" BSP	0,5	220 VAC	12	96	70	131

(\*) Bild rechts: Rest der Referenzen anders als VCBP14N  
Max. Druck, andere Flüssigkeiten, konsultieren