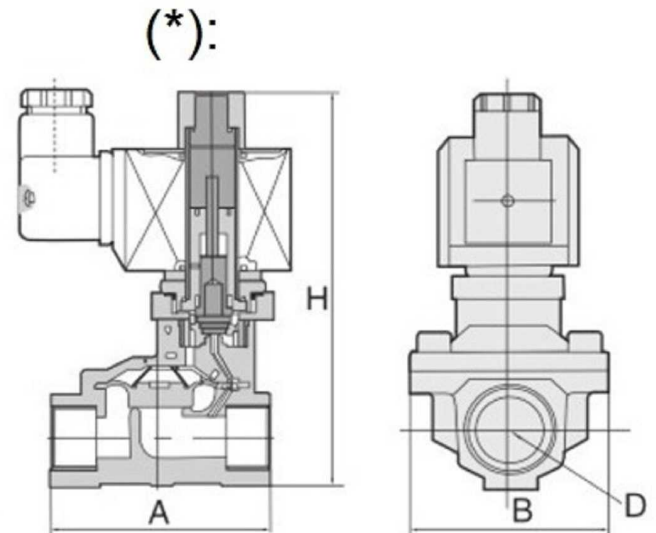
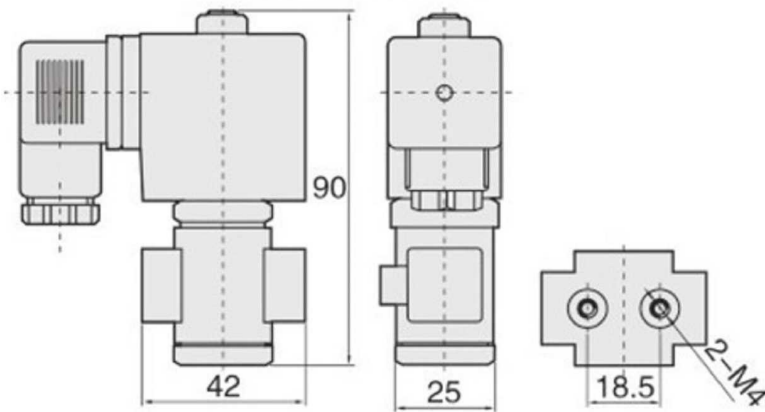


VCBP14NA:



Artikel	R1	Druck Min (bar)	Spannung	air Wasser Max. Druck (bar)	A	B	H
VCBP14NA12CC	1/4" BSP	0	12 VDC	15	-	-	-
VCBP38NA12CC	3/8" BSP	0,5	12 VDC	8	66	48	124
VCBP12NA12CC	1/2" BSP	0,5	12 VDC	8	66	48	124
VCBP34NA12CC	3/4" BSP	0,5	12 VDC	8	75	58	130
VCBP1NA12CC	1" BSP	0,5	12 VDC	8	96	70	143
VCBP14NA24CC	1/4" BSP	0	24 VDC	15	-	-	-
VCBP38NA24CC	3/8" BSP	0,5	24 VDC	8	66	48	124
VCBP12NA24CC	1/2" BSP	0,5	24 VDC	8	66	48	124
VCBP34NA24CC	3/4" BSP	0,5	24 VDC	8	75	58	130
VCBP1NA24CC	1" BSP	0,5	24 VDC	8	96	70	143
VCBP14NA24CA	1/4" BSP	0	24 VAC	15	-	-	-
VCBP38NA24CA	3/8" BSP	0,5	24 VAC	8	66	48	124
VCBP12NA24CA	1/2" BSP	0,5	24 VAC	8	66	48	124
VCBP34NA24CA	3/4" BSP	0,5	24 VAC	8	75	58	130
VCBP1NA24CA	1" BSP	0,5	24 VAC	8	96	70	143
VCBP14NA110CA	1/4" BSP	0	110 VAC	15	-	-	-
VCBP38NA110CA	3/8" BSP	0,5	110 VAC	8	66	48	124
VCBP12NA110CA	1/2" BSP	0,5	110 VAC	8	66	48	124
VCBP34NA110CA	3/4" BSP	0,5	110 VAC	8	75	58	130
VCBP1NA110CA	1" BSP	0,5	110 VAC	8	96	70	143
VCBP14NA220CA	1/4" BSP	0	220 VAC	15	-	-	-
VCBP38NA220CA	3/8" BSP	0,5	220 VAC	8	66	48	124
VCBP12NA220CA	1/2" BSP	0,5	220 VAC	8	66	48	124

Niederdruckventile

Messing

Niederdruckventile mit Spule normal offen

2/2

Artikel	R1	Druck Min (bar)	Spannung	air Wasser Max. Druck (bar)	A	B	H
VCBP34NA220CA	3/4" BSP	0,5	220 VAC	8	75	58	130
VCBP1NA220CA	1" BSP	0,5	220 VAC	8	96	70	143

(*) Bild rechts: Rest der Referenzen anders als VCBP14NA.
Druck max. andere Flüssigkeiten, konsultieren.