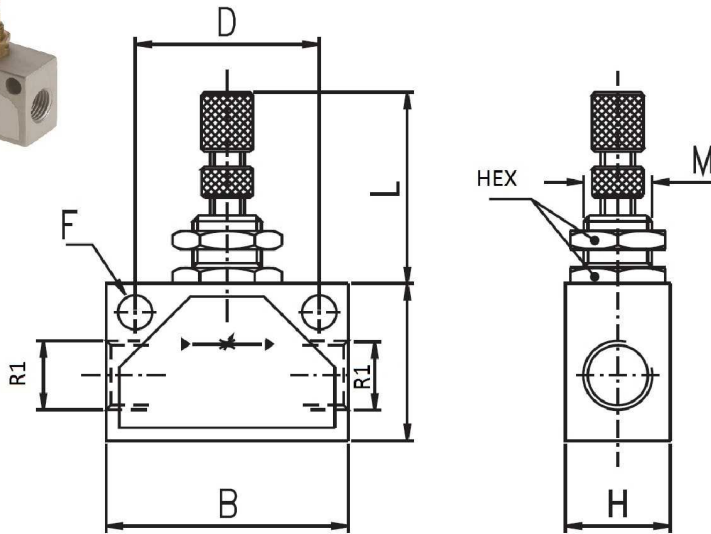


Regulador flujo bidireccional



| R1 | B | C | H | D | F | L | M | HEX |
|-----|----|----|----|------|-----|-------|----------|-----|
| 1/8 | 35 | 22 | 18 | 24.7 | 4.5 | 27-34 | M12x0.75 | 15 |
| 1/4 | 46 | 30 | 20 | 35 | 6.5 | 27-34 | M12x0.75 | 15 |
| 3/8 | 50 | 30 | 25 | 35 | 6.5 | 32-43 | M18x1.5 | 22 |
| 1/2 | 60 | 40 | 25 | 44 | 6.5 | 32-43 | M18x1.5 | 22 |

| Artículo | R1 | Pres. max. (bar) |
|----------|----------|------------------|
| 8860 1/8 | 1/8" BSP | 10 |
| 8860 1/4 | 1/4" BSP | 10 |
| 8860 3/8 | 3/8" BSP | 10 |
| 8860 1/2 | 1/2" BSP | 10 |