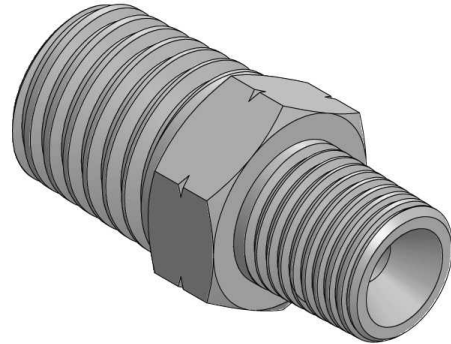
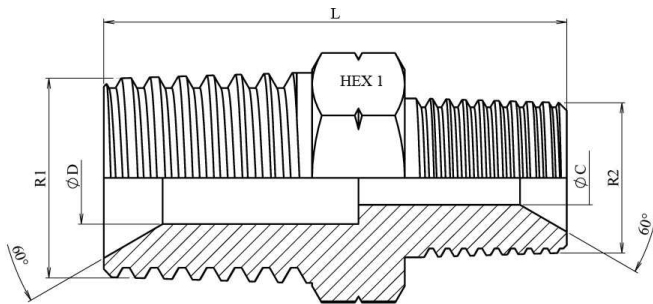


**Reductor macho - macho NPT**

Acero al carbono

1/1



Artículo	R1	R2	L	HEX 1	ØC	ØD
<b>A10150402</b>	1/4" NPT	1/8" NPT	30	14	3,5	6
<b>A10150602</b>	3/8" NPT	1/8" NPT	31,5	19	3,5	8
<b>A10150604</b>	3/8" NPT	1/4" NPT	34,5	19	6	8
<b>A10150804</b>	1/2" NPT	1/4" NPT	39,5	22	6	11
<b>A10150806</b>	1/2" NPT	3/8" NPT	40	22	8	11
<b>A10151204</b>	3/4" NPT	1/4" NPT	43,5	27	5	17,5
<b>A10151206</b>	3/4" NPT	3/8" NPT	42,5	27	8	17,5
<b>A10151208</b>	3/4" NPT	1/2" NPT	46,5	27	11	16
<b>A10151608</b>	1" NPT	1/2" NPT	52,5	36	11	22
<b>A10151612</b>	1" NPT	3/4" NPT	54	36	16	22
<b>A10152016</b>	1"1/4 NPT	1" NPT	60	46	22	28,5
<b>A10152420</b>	1"1/2 NPT	1"1/4 NPT	64	50	28,5	33
<b>A10153224</b>	2" NPT	1"1/2 NPT	68	60	33	46