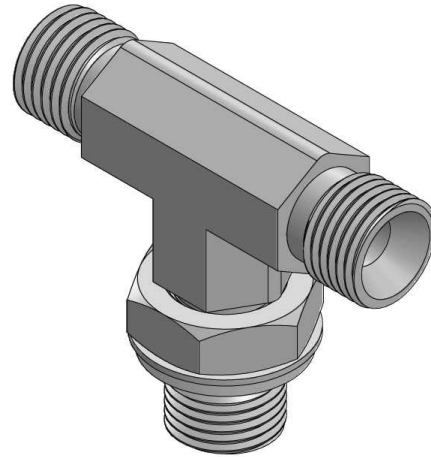
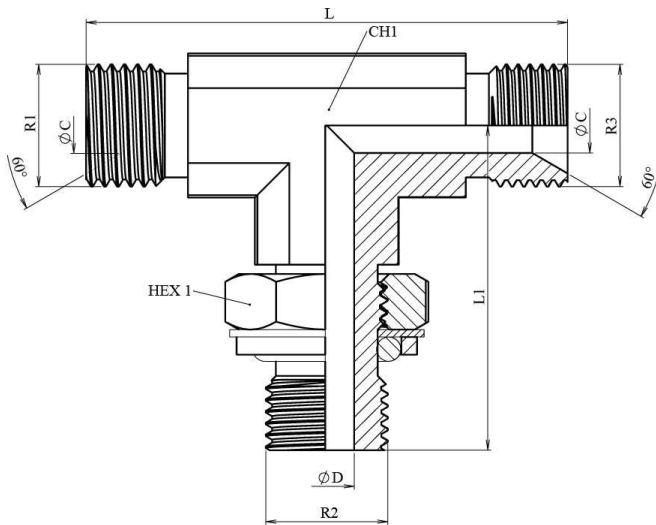


## Adapteur Té égal mâle (60°)-mâle orientable-mâle (60°) BSP forge

Acier au carbone

1/1



Référence	R1	R2	R3	L	L1	HEX 1	CH1	ØC	ØD
<b>S12280404</b>	1/4" BSP	1/4" BSP	1/4" BSP	54	31,5	19	14	4,7	7,5
<b>S12280604</b>	3/8" BSP	1/4" BSP	3/8" BSP	60	35	19	17	8	6
<b>S12280606</b>	3/8" BSP	3/8" BSP	3/8" BSP	60	36	22	17	8	8
<b>S12280806</b>	1/2" BSP	3/8" BSP	1/2" BSP	70	36	22	22	11	8
<b>S12280808</b>	1/2" BSP	1/2" BSP	1/2" BSP	68	43	27	22	11	12
<b>S12281208</b>	3/4" BSP	1/2" BSP	3/4" BSP	84	45	27	27	16	11
<b>S12281212</b>	3/4" BSP	3/4" BSP	3/4" BSP	82	50	36	27	16	16
<b>S12281612</b>	1" BSP	3/4" BSP	1" BSP	94	52	32	36	22	16
<b>S12281616</b>	1" BSP	1" BSP	1" BSP	94	54	41	36	22	22
<b>S12282016</b>	1"1/4 BSP	1" BSP	1"1/4 BSP	104	57	50	41	28,6	22,2
<b>S12282020</b>	1"1/4 BSP	1"1/4 BSP	1"1/4 BSP	102	58	50	41	28,6	27,5