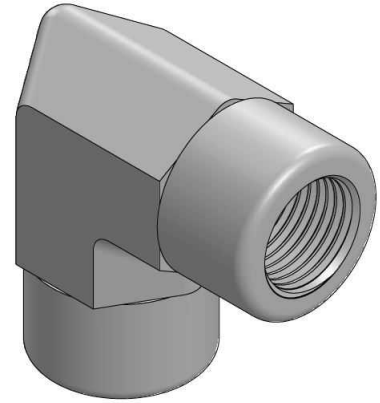
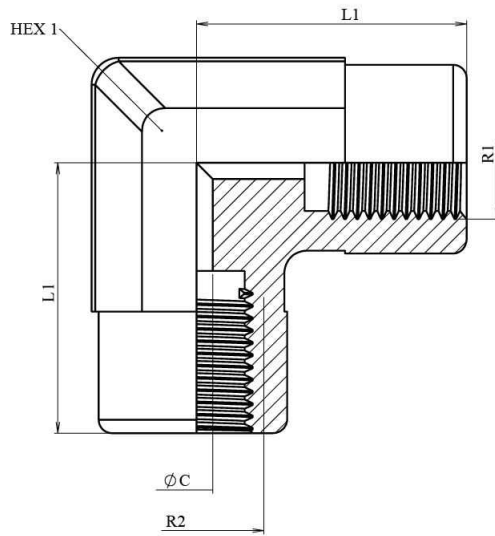


**90° Elbow BSP fixed female-BSP fixed female forge**

Carbon steel

1/1



Part n°	R1	R2	L1	HEX 1	ØC
<b>S119602</b>	1/8" BSP	1/8" BSP	17	14	8,7
<b>S119604</b>	1/4" BSP	1/4" BSP	26	17	8
<b>S119606</b>	3/8" BSP	3/8" BSP	30	19	12
<b>S119608</b>	1/2" BSP	1/2" BSP	35	24	17,5
<b>S119612</b>	3/4" BSP	3/4" BSP	42	27	16
<b>S119616</b>	1" BSP	1" BSP	47	36	25
<b>S119620</b>	1"1/4 BSP	1"1/4 BSP	43	48	39,3
<b>S119624</b>	1" 1/2 BSP	1" 1/2 BSP	53	65	30
<b>S119632</b>	2" BSP	2" BSP	60	72	35