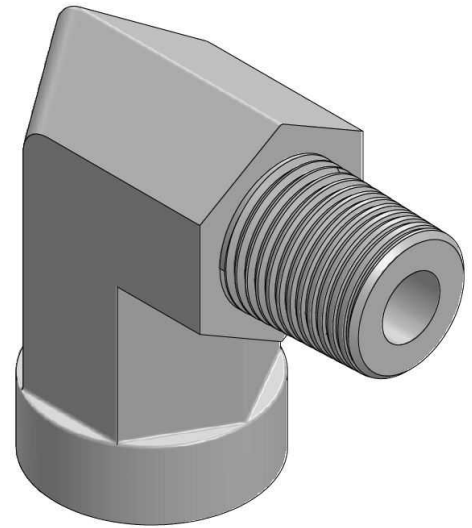
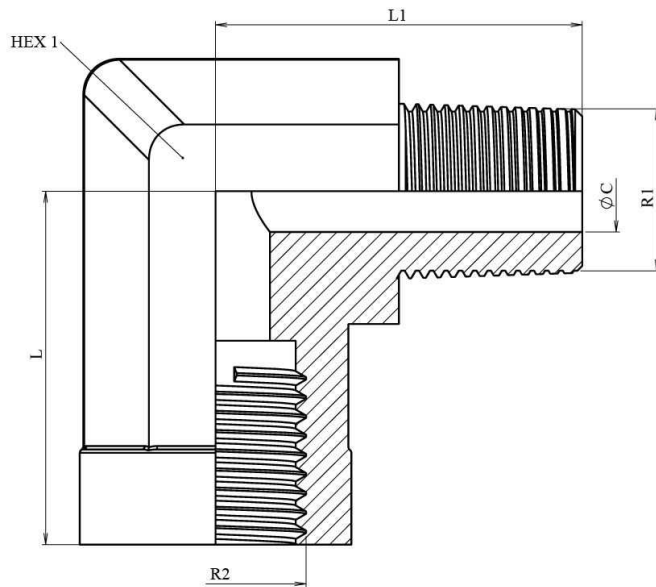


90° Elbow BSPT male-BSP fixed female forge

Carbon steel

1/1



Part n°	R1	R2	L	L1	HEX 1	ØC
S119402	1/8" BSPT	1/8" BSP	17	20	14	4,5
S119404	1/4" BSPT	1/4" BSP	26	27	17	8
S119406	3/8" BSPT	3/8" BSP	31	26	22	8
S119408	1/2" BSPT	1/2" BSP	37,5	32	27	13
S119412	3/4" BSPT	3/4" BSP	37	42	27	16
S119416	1" BSPT	1" BSP	42	50	41	22
S119420	1" 1/4 BSPT	1" 1/4 BSP	43	60	48	28,5
S119424	1" 1/2 BSPT	1" 1/2 BSP	53	67	65	33