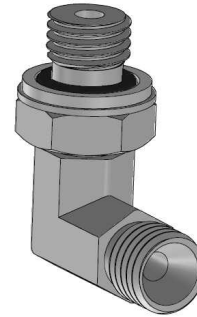
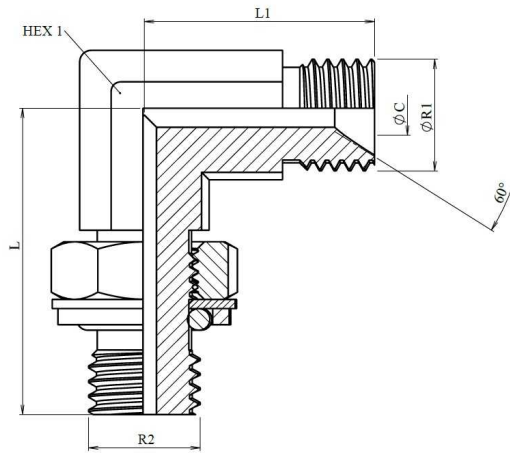


90° Elbow BSP male-BSP male adjustable forge

Carbon steel

1/1



Part n°	R1	R2	L	L1	HEX 1	ØC
S11970202	1/8" BSP	1/8" BSP	26	22,5	11	3,5
S11970404	1/4" BSP	1/4" BSP	34	26	14	6
S11970604	3/8" BSP	1/4" BSP	34	29	19	8
S11970606	3/8" BSP	3/8" BSP	36	30	17	8
S11970806	1/2" BSP	3/8" BSP	40	34	22	11
S11970808	1/2" BSP	1/2" BSP	43	35	22	11
S11971208	3/4" BSP	1/2" BSP	45	41	27	16
S11971212	3/4" BSP	3/4" BSP	50	41	27	16
S11971612	1" BSP	3/4" BSP	52	47	36	22
S11971616	1" BSP	1" BSP	54	47	36	22
S11972020	1"1/4 BSP	1"1/4 BSP	62,9	50,8	36	28,6
S11972424	1" 1/2 BSP	1" 1/2 BSP	60	61	47	33
S11973232	2" BSP	2" BSP	75.15	75,25	64	45,5