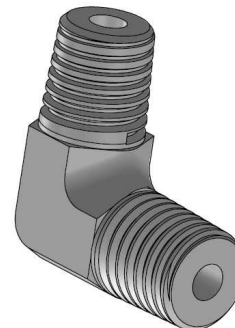
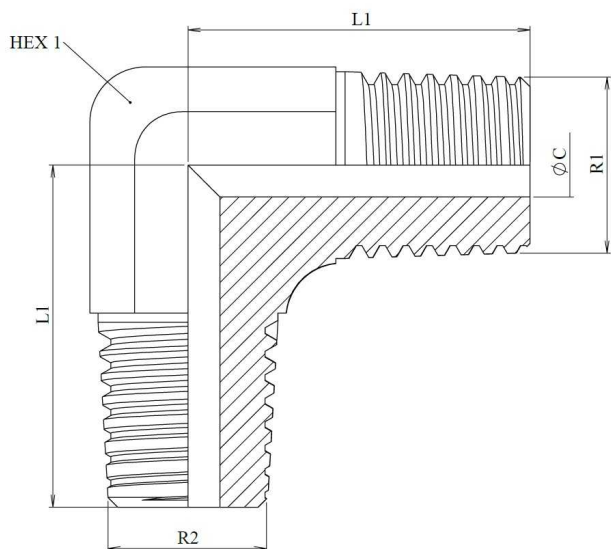


90° Elbow BSPT male-BSPT male forge

Carbon steel

1/1



Part n°	R1	R2	L1	HEX 1	ØC
S119504	1/4" BSPT	1/4" BSPT	27	14	6
S119506	3/8" BSPT	3/8" BSPT	31	17	8
S119508	1/2" BSPT	1/2" BSPT	36	22	12
S119512	3/4" BSPT	3/4" BSPT	40	27	16
S119516	1" BSPT	1" BSPT	50	36	22