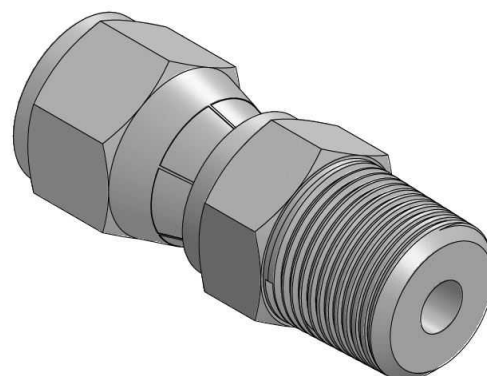
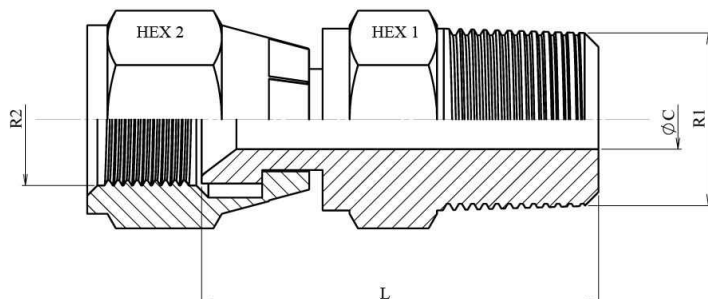


Racor macho BSPT - hembra giratoria JIC 37°

Acero Carbono

1/1



Artículo	ØD1	ØD2	R1	R2	L	HEX 1	HEX 2	ØC
S1500613	6	1/4	1/4" BSPT	7/16" 20h UNF	29,5	14	14	4,4
S1500813	8	5/16	1/4" BSPT	1/2" 20h UNF	31	14	17	6
S1501013	10	3/8	1/4" BSPT	9/16" 18h UNF	32	17	19	6
S1501213	12	1/2	1/4" BSPT	3/4" 16h UNF	34	19	24	9,5
S1501217	12	1/2	3/8" BSPT	3/4" 16h UNF	34	19	24	9,5
S1501621	16	5/8	1/2" BSPT	7/8" 14h UNF	38	24	27	12,3
S1502021	20	3/4	1/2" BSPT	1"1/16 12h UNF	41	27	32	15,5
S1502026	20	3/4	3/4" BSPT	1"1/16 12h UNF	43	27	32	15,5
S1502526	25	1	3/4" BSPT	1"5/16 12h UNF	44,5	36	41	16
S1502533	25	1	1" BSPT	1"5/16 12h UNF	46,5	36	41	21,5
S1503242	32	1 1/4	1"1/4 BSPT	1"5/8 12h UNF	50	46	50	26