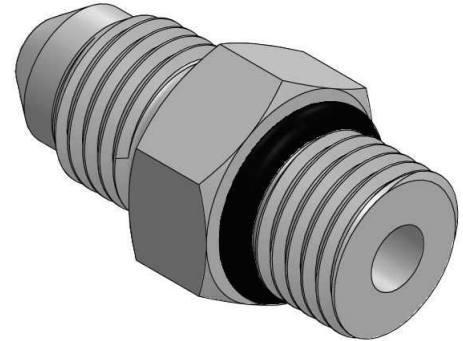
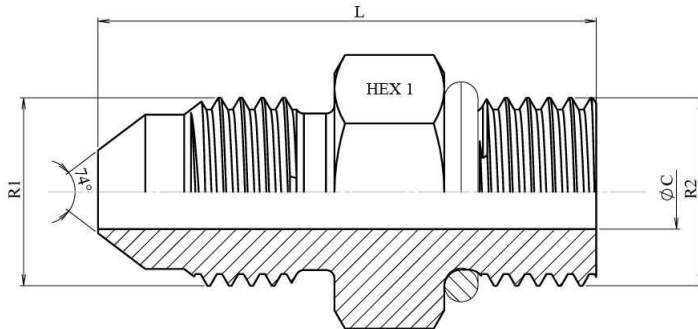


Racor macho JIC 37° - macho UNF

Acero Carbono

1/1



Artículo	ØD1	ØD2	R1	R2	L	HEX 1	ØC
S2200611	6	1/4	7/16" 20h JIC	7/16" 20h UNF	31,2	14	4,4
S2200612	6	1/4	7/16" 20h JIC	1/2" 20h UNF	31,5	14	4,4
S2200614	6	1/4	7/16" 20h JIC	9/16" 18h UNF	30,5	17	4,4
S2200812	8	5/16	1/2" 20h JIC	1/2" 20h UNF	32	17	6
S2201014	10	3/8	9/16" 18h JIC	9/16" 18h UNF	33	17	7,5
S2201019	10	3/8	9/16" 18h JIC	3/4" 16h UNF	32,1	19	6
S2201219	12	1/2	3/4" 16h JIC	3/4" 16h UNF	35,0	22	10
S2201222	12	1/2	3/4" 16h JIC	7/8" 14h UNF	40,6	27	10
S2201622	14-15-16	5/8	7/8" 14h JIC	7/8" 14h UNF	43,2	27	12,3
S2201627	14-15-16	5/8	7/8" 14h JIC	1"1/16 12h UNF	43,3	32	12,3
S2201619	14-15-16	5/8	7/8" 14h JIC	3/4" 16h UNF	39,3	24	12,3
S2202019	18-20	3/4	1"1/16 12h JIC	3/4" 16h UNF	43,4	27	15,5
S2202022	18-20	3/4	1"1/16 12h JIC	7/8" 14h UNF	44,9	27	15,5
S2202027	18-20	3/4	1"1/16 12h JIC	1"1/16 12h UNF	50,0	32	15,5
S2202033	18-20	3/4	1"1/16 12h JIC	1"5/16 12h UNF	50,5	41	15,5
S2202527	25	1	1"5/16 12h JIC	1"1/16 12h UNF	49,1	36	21,5
S2202533	25	1	1"5/16 12h JIC	1"5/16 12h UNF	51,8	41	21,5
S2202541	25	1	1"5/16 12h JIC	1"5/8 12h UNF	49,1	46	21,5
S2203241	30-32	1 1/4	1"5/8 12h JIC	1"5/8 12h UNF	55,1	50	27,5
S2203848	38	1 1/2	1"7/8 12h JIC	1"7/8 12h UNF			

El material puede ser suministrado con hexágonos imperiales