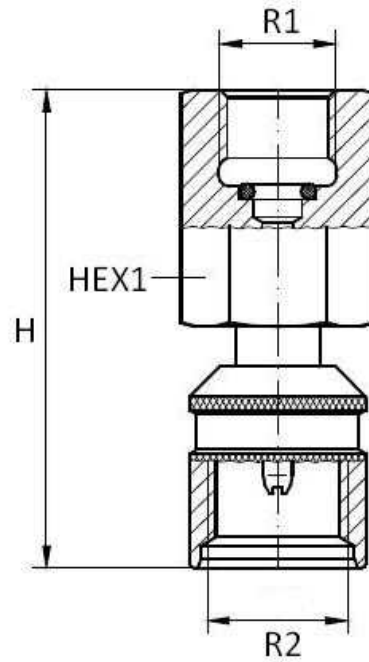


**Check coupling for pressure gauge**

Carbon steel

1/1



Part n°	R1	R2	Working Pressure (bar)	HEX 1	OR 1	H
<b>MPD 1/4 BSP</b>	1/4" BSP	M16x2	620	19	NBR	54
<b>MPD 1/2 BSP</b>	1/2" BSP	M16x2	620	27	NBR	58