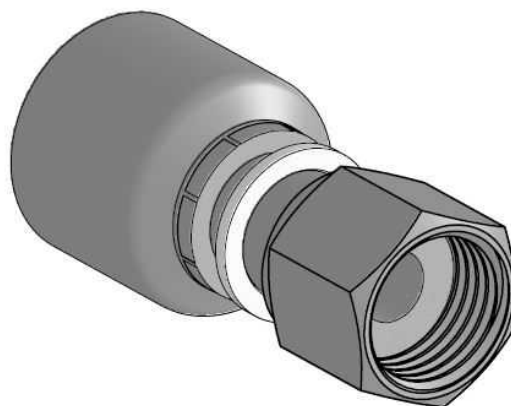
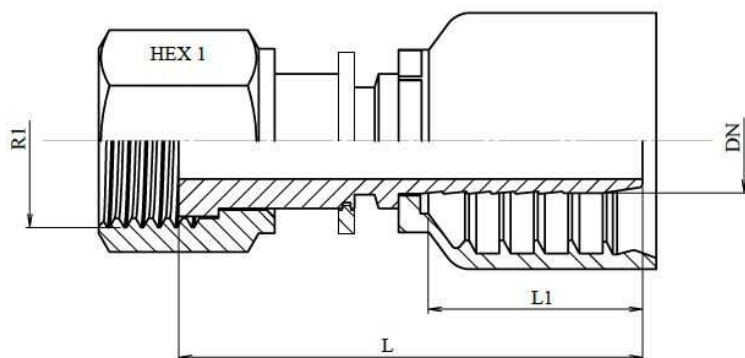


Raccordi un pezzo ORFS

Femmina diritta compatta ORFS

Acciaio al carbonio

1/1



Codice	DN	R1	Dettagli	L	L1	HEX 1
289000904	1/4"	9/16" 18h	449000404+PFC221200400	50	28	17
289001104	1/4"	11/16" 16h	449000604+PFC221200400	51,5	28	22
289001105	5/16"	11/16" 16h	449000605+PFC221200500	52,3	28	22
289001106	3/8"	11/16" 16h	449000606+PFC221200600	54	29,5	22
289001306	3/8"	13/16" 16h	449000806+PFC221200600	56,5	29,5	24
289001308	1/2"	13/16" 16h	449000808+PFC221200800	58,5	30,5	24
289001608	1/2"	1" 14h	449001008+PFC221200800	62,5	30,5	30
289001908	1/2"	1"3/16 12h	449001208+PFC221200800	65	30,5	36
289001912	3/4"	1"3/16 12h	449001212+PFC221201200	75	39	36
289002312	3/4"	1"7/16 12h	449001612+PFC221201200	76	39	41