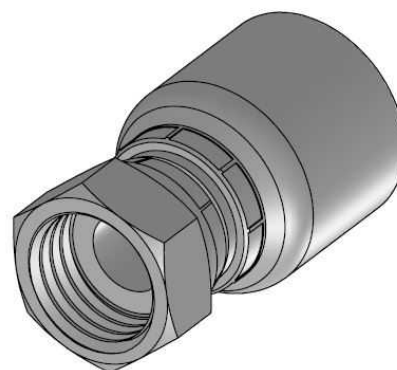
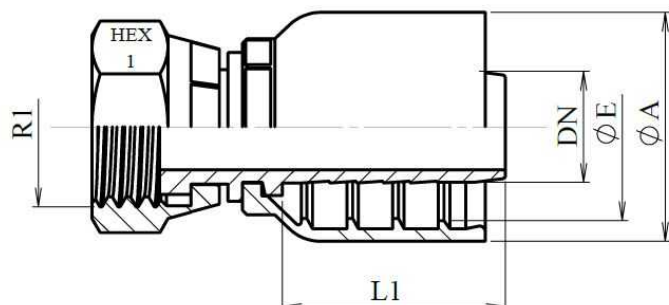


Raccordi un pezzo BSP - BSPT

**Femmina diritta compatta BSP sede piana**

Acciaio al carbonio

1/1



Codice	DN	R1	L1	HEX 1	ØE	ØA	Dettagli
<b>282000404</b>	1/4"	1/4" BSP	40,5	19	16,9	23	242000404+PFC221200400
<b>282000605</b>	5/16"	3/8" BSP	28	22	17,5	23.7	242000605+PFC221200500
<b>282000606</b>	3/8"	3/8" BSP	29,5	22	20,7	28	242000606+PFC221200600
<b>282000806</b>	3/8"	1/2" BSP	29,5	27	20,7	28	242000806+PFC221200600
<b>282000808</b>	1/2"	1/2" BSP	30,5	27	24,8	32	242000808+PFC221200800
<b>282001208</b>	1/2"	3/4" BSP	30,5	32	24,8	32	242001208+PFC221200800
<b>282001212</b>	3/4"	3/4" BSP	39	32	32	40	242001212+PFC221201200
<b>282001616</b>	1"	1" BSP	47	41	39	47	242001616+PFC221201600
<b>282002020</b>	1" 1/4	1" 1/4 BSP	54,5	50	49,5	59.8	242002020+PFC221202000
<b>282002424</b>	1" 1/2	1" 1/2 BSP	58	55	56	67.6	242002424+PFC221202400