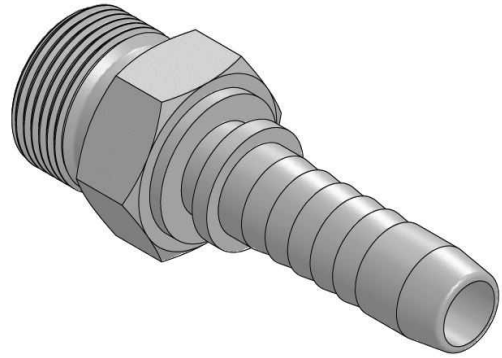
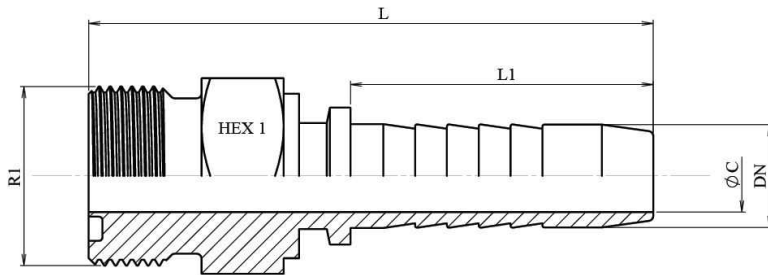


ORFS Male flat seat + o´ring

Mild Steel 1.0737 (or equivalent)

1/1



Part nº	DN	R1	L	L1	HEX 1	ØC
449120404	1/4"	9/16" 18h UNF	50,5	28	17	4
449120604	1/4"	11/16" 16h UNF	53	28	19	4
449120605	5/16"	11/16" 16h UNF	53,5	28	19	5,5
449120606	3/8"	11/16" 16h UNF	55	29,5	19	7
449120806	3/8"	13/16" 16h UNF	58	29,5	22	7
449120808	1/2"	13/16" 16h UNF	59,5	30,5	22	9,5
449121008	1/2"	1" 14h UNF	62,5	30,5	27	9,5
449121010	5/8"	1" 14h UNF	67,3	34	27	12
449121208	1/2"	1"3/16 12h UNF	65	30,5	32	9,5
449121212	3/4"	1"3/16 12h UNF	75	39	32	15
449121612	3/4"	1"7/16 12h UNF	77,5	39	41	15
449121616	1"	1"7/16 12h UNF	86	47	41	19
449122020	1"1/4"	1"11/16-12h UNF	95	54,5	46	26